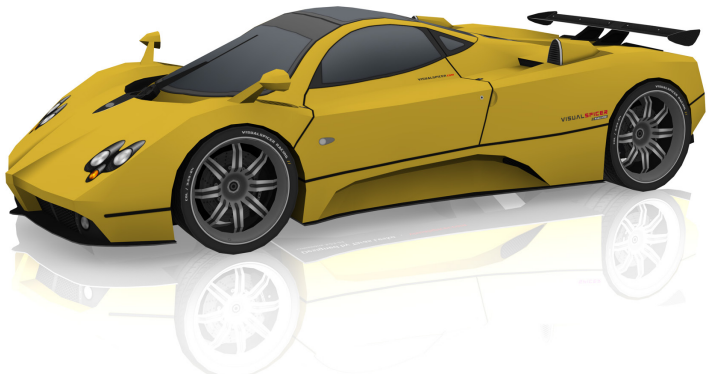


PAGANI ZONDA
PAPER-SUPER-CRAFT

“Velocity Yellow”



Designed by Taras Lesko
visualspicer.com

Recommended Tools

- Craft glue
- X-Acto knife
- Scissors
- Markers

Miscellaneous

- Glue only one part at a time.
- Glue only two or three tabs at a time.
- Experiment, enjoy and have fun!

Templates

- Cut line



- Mountain fold line 



- Valley fold line 

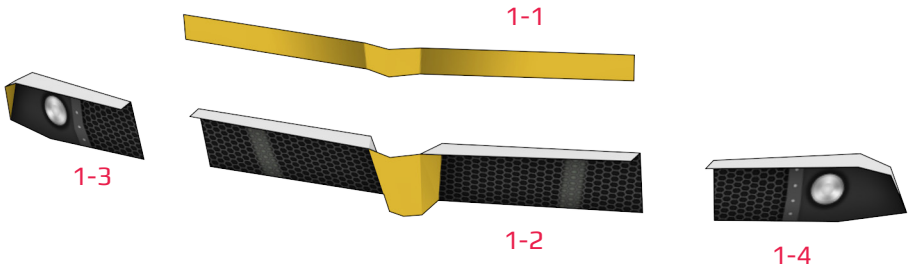


More Info

View more details about this project at bit.ly/ZondaPapercraft or scan the QR code to view the page on your mobile device.



1

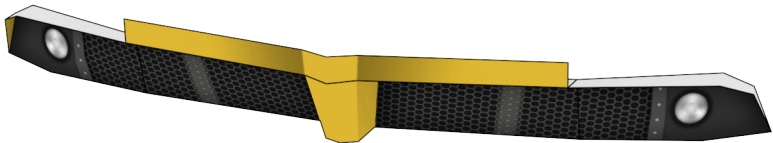


1-3

1-1

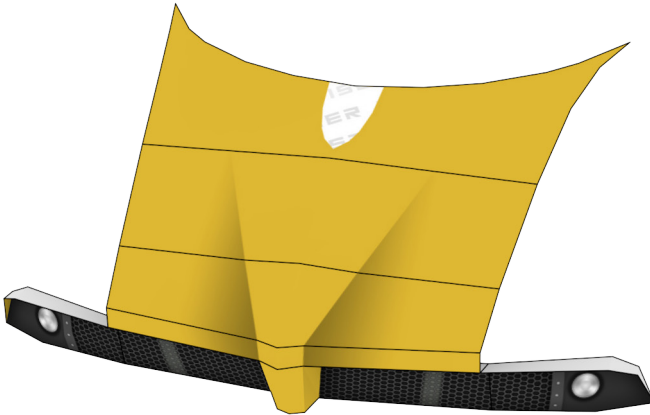
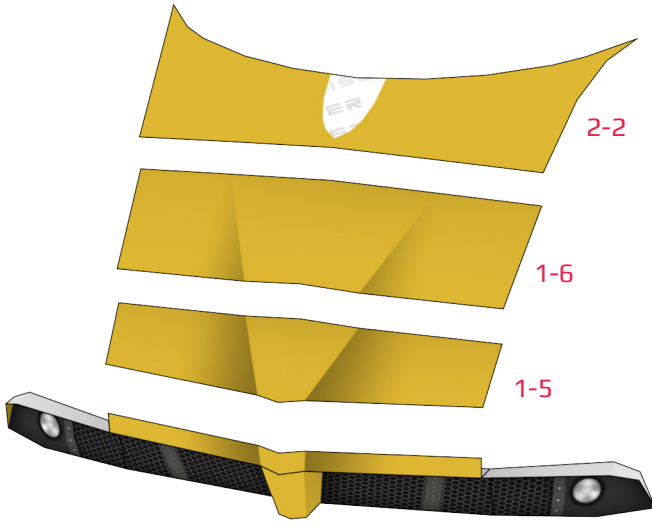
1-2

1-4

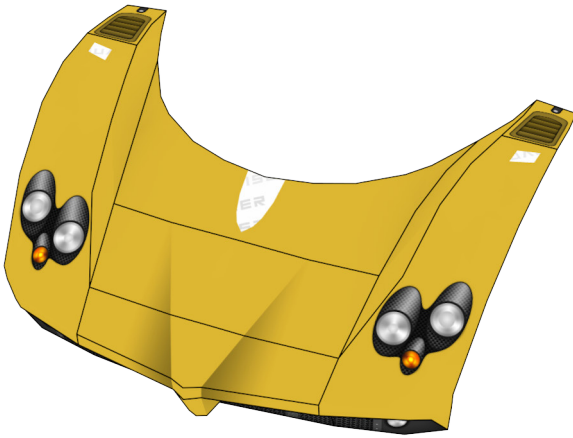
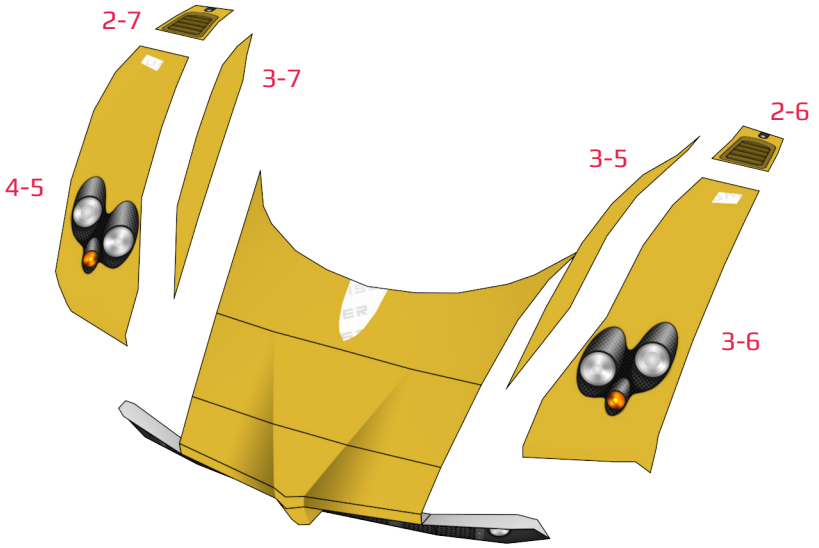


Find parts for each step by referencing Templates page number then part number. For example, **1-2** is Templates page 1, part 2.

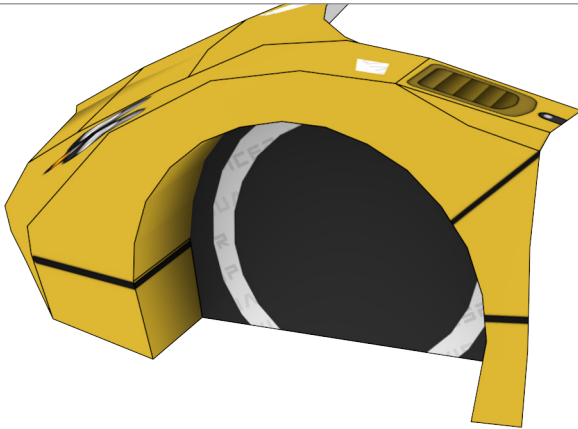
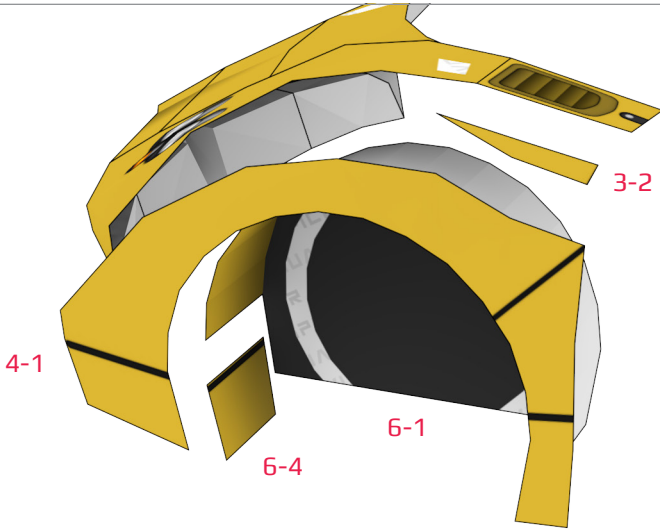
2



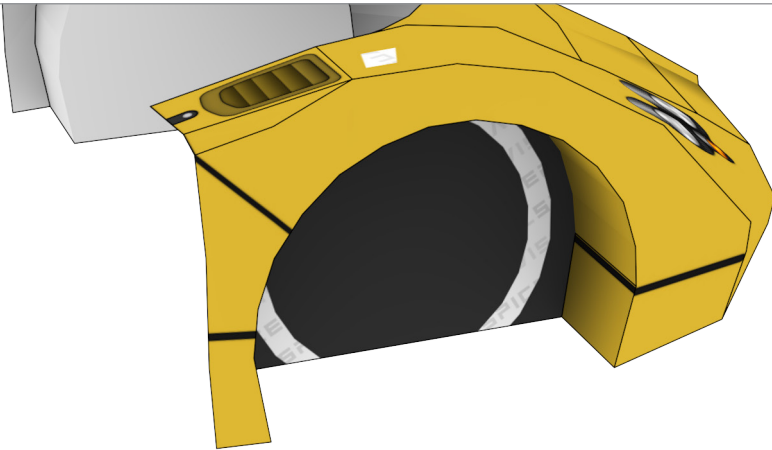
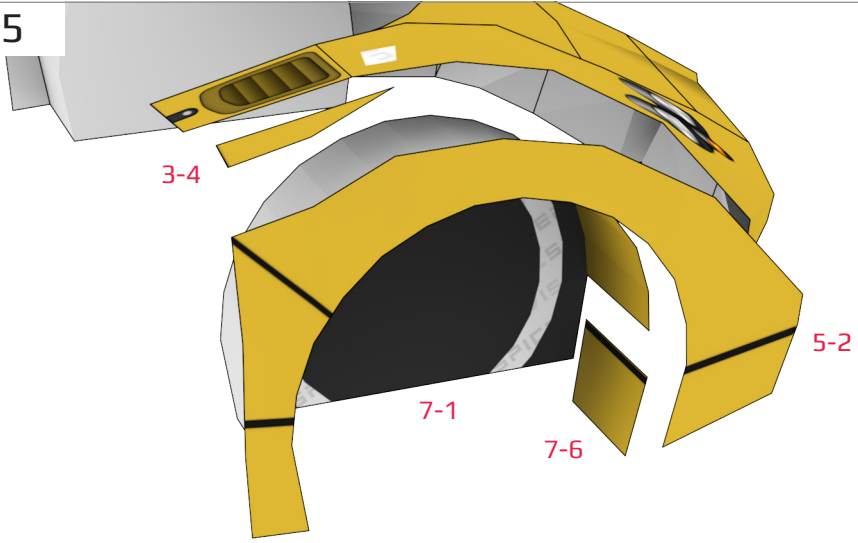
3



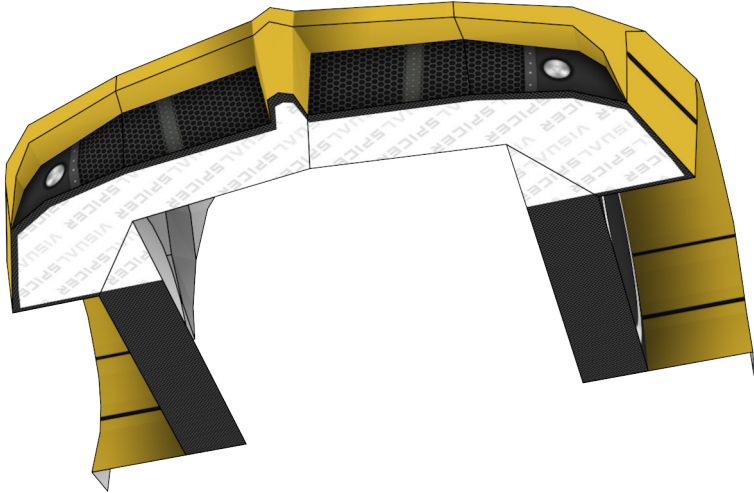
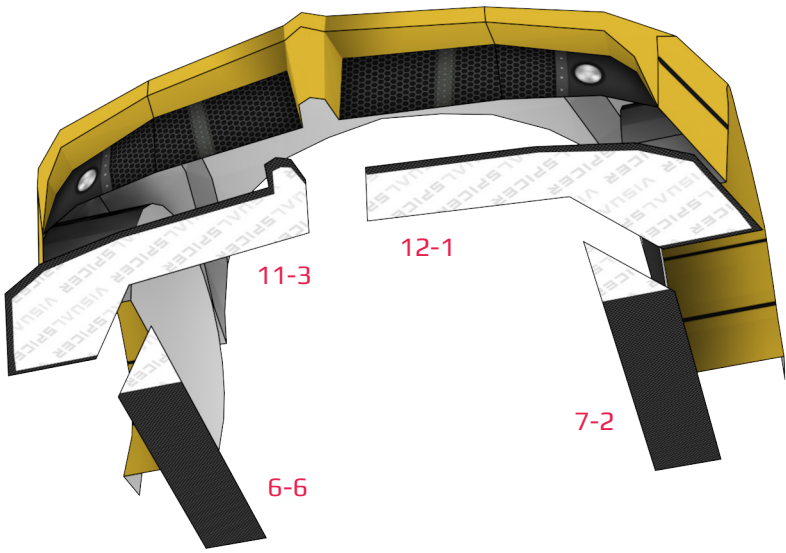
4

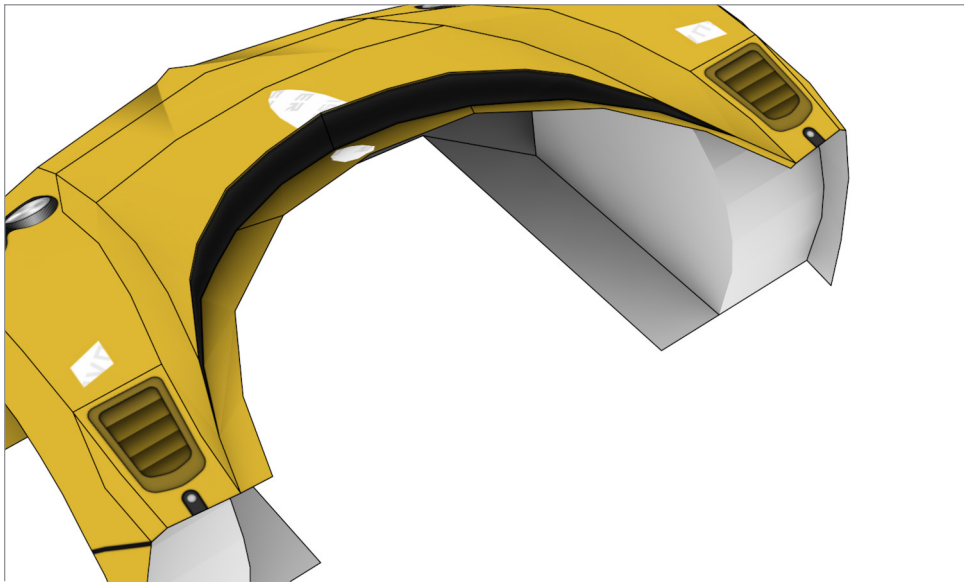
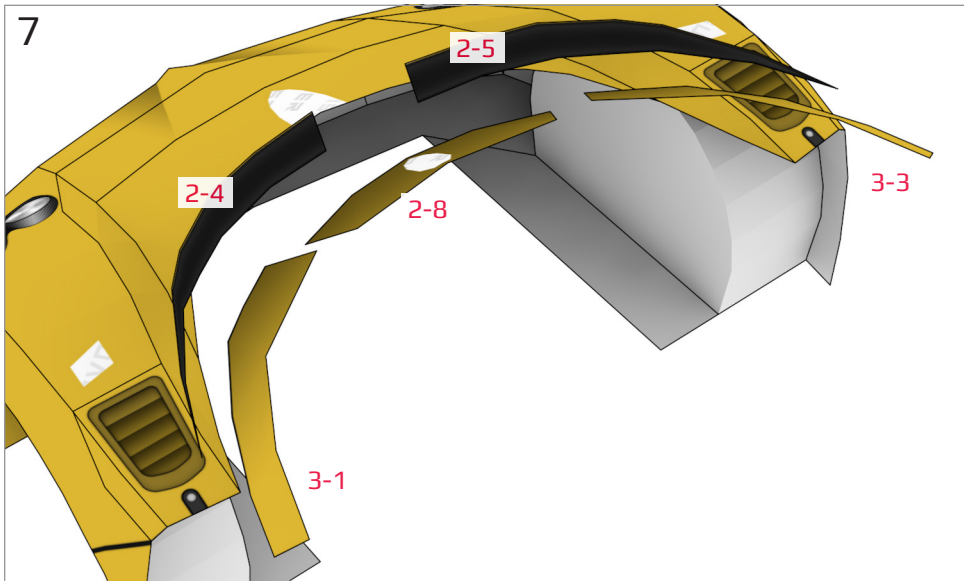


5

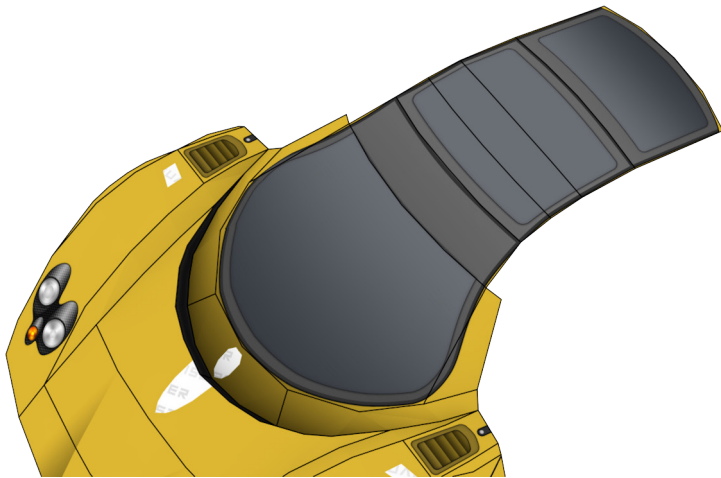
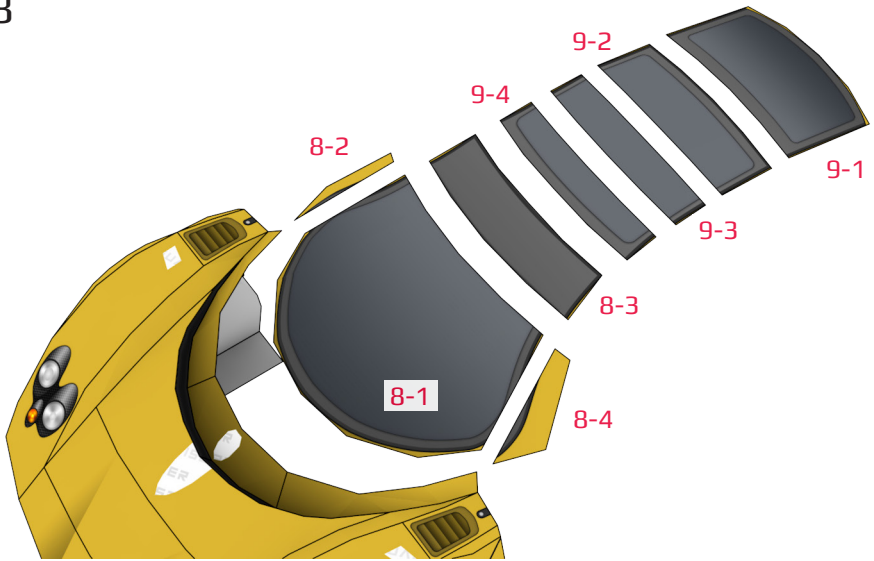


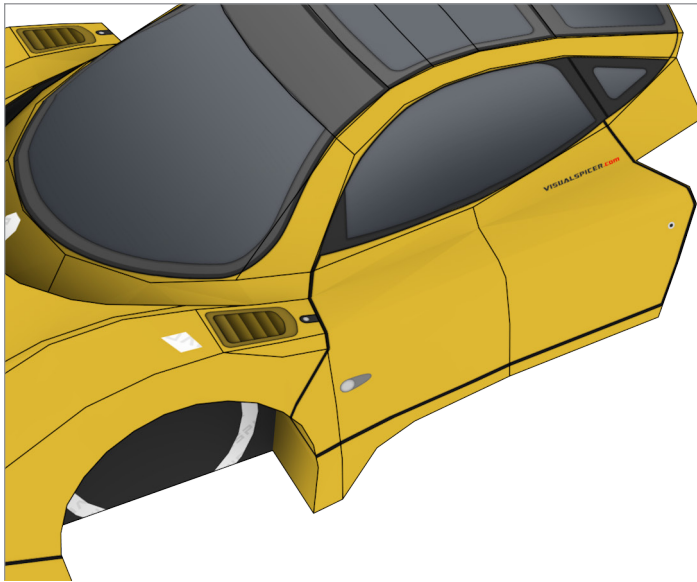
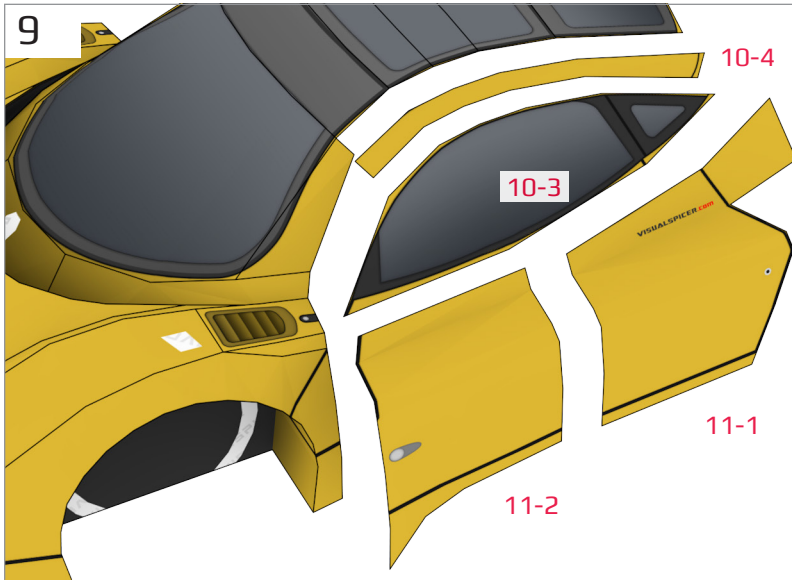
6



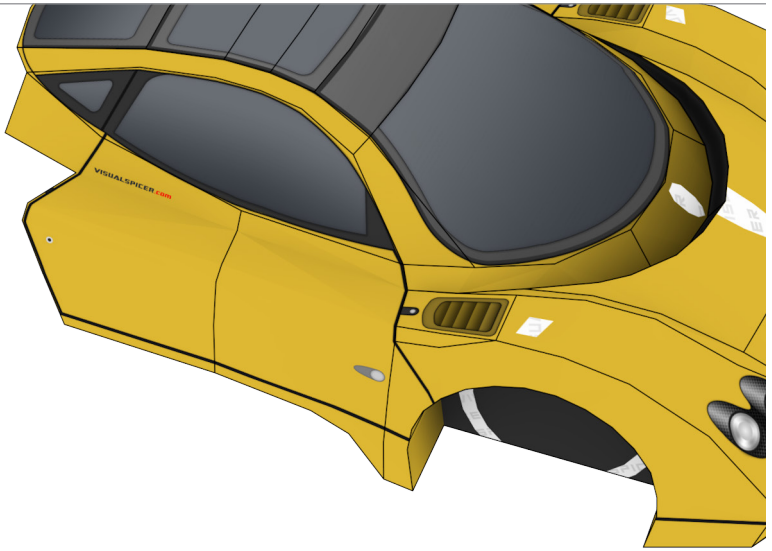
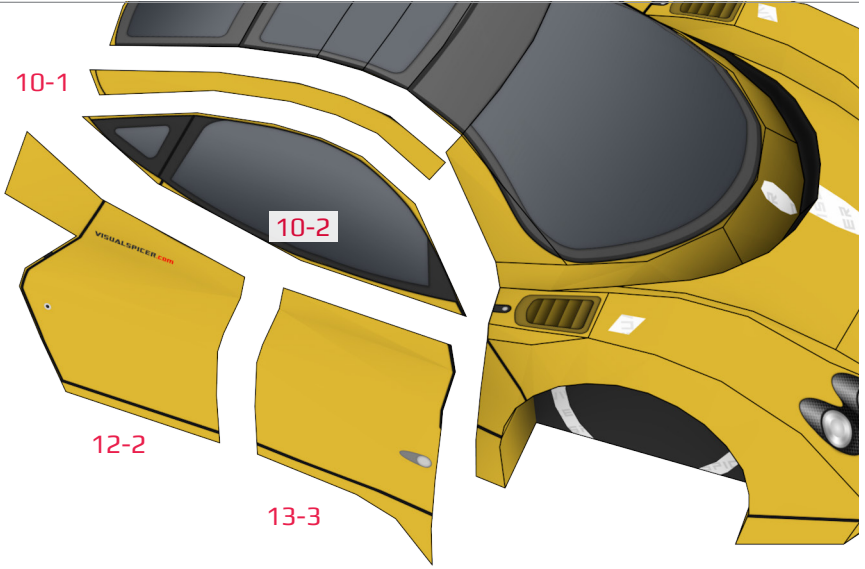


8

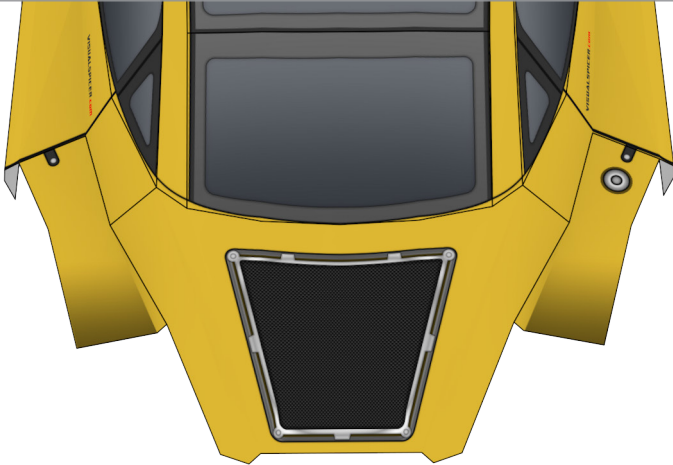
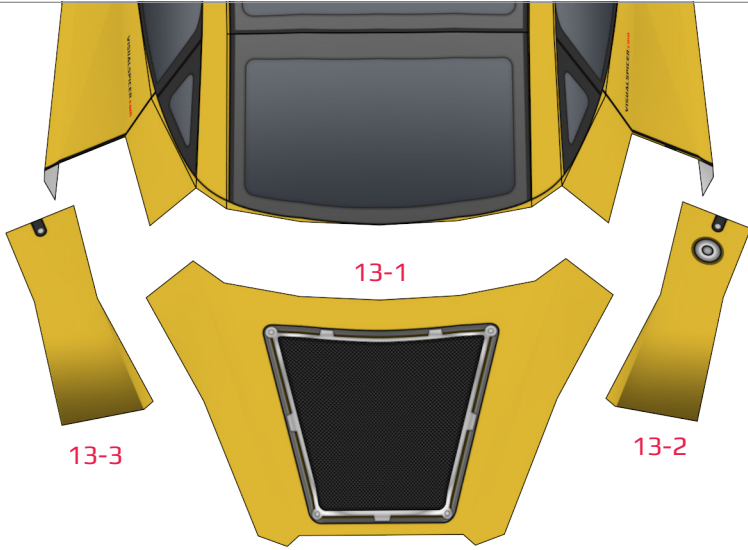


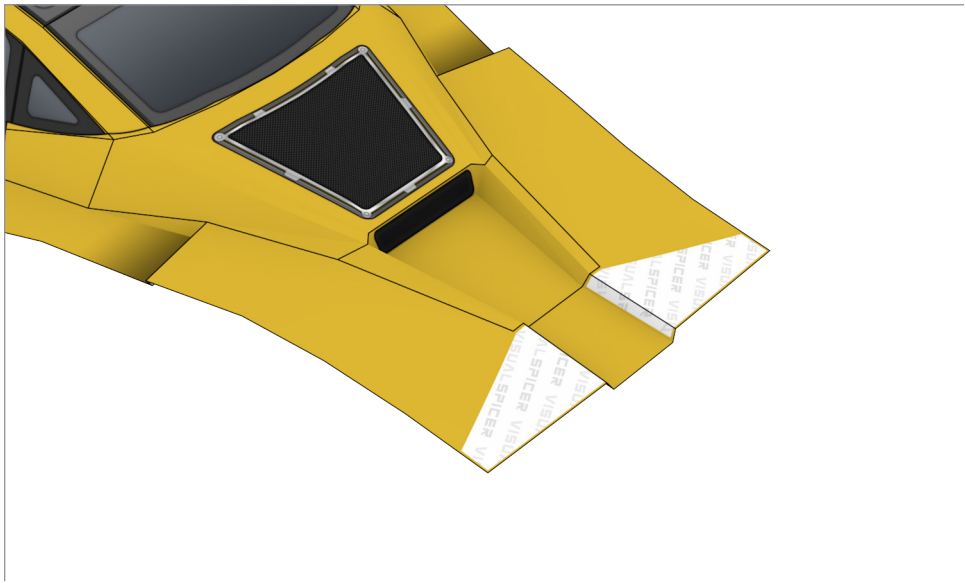
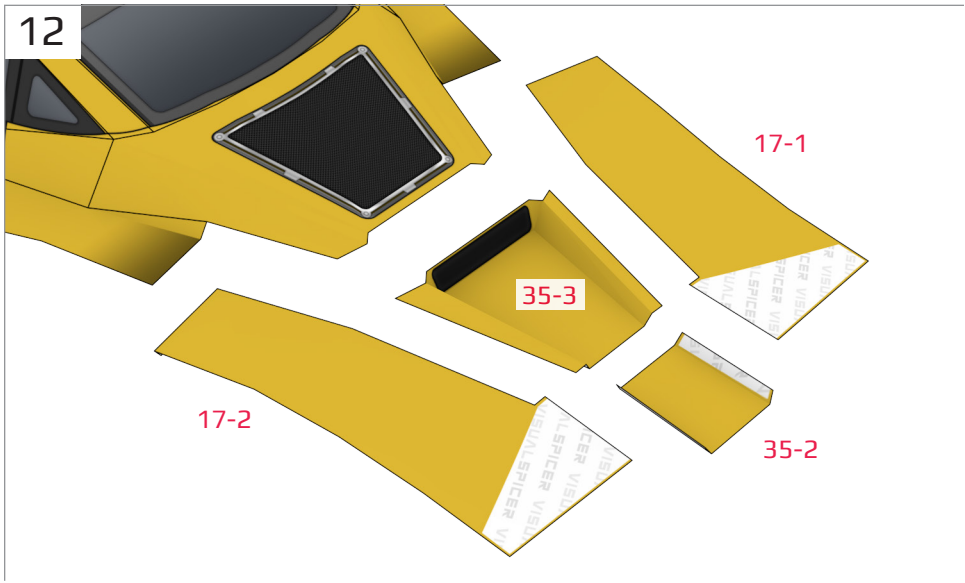


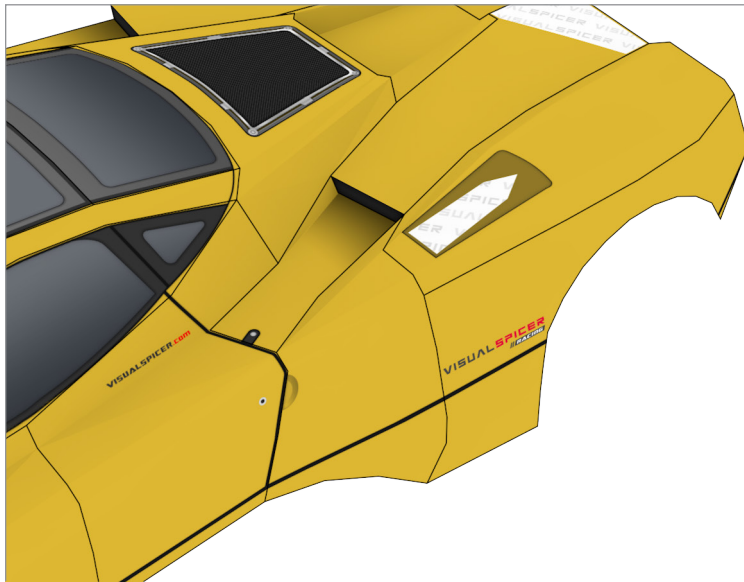
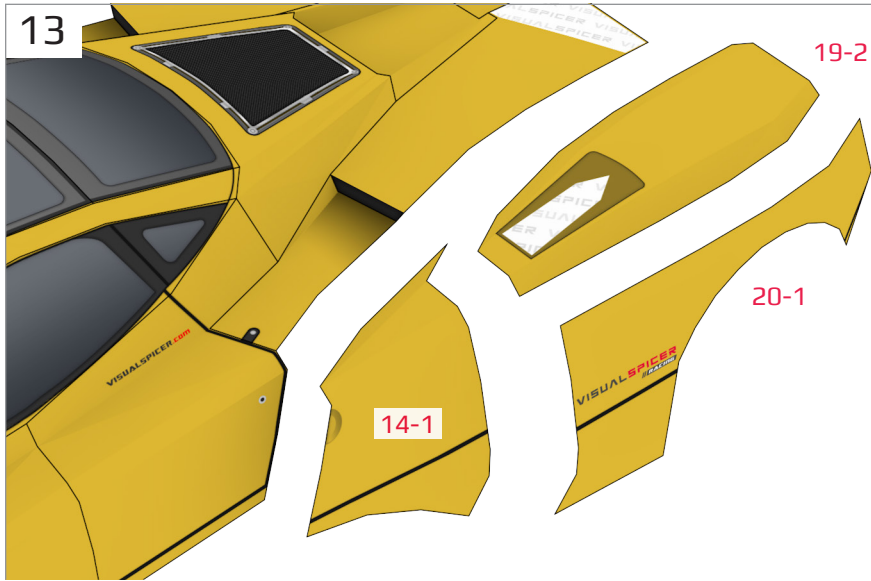
10



11





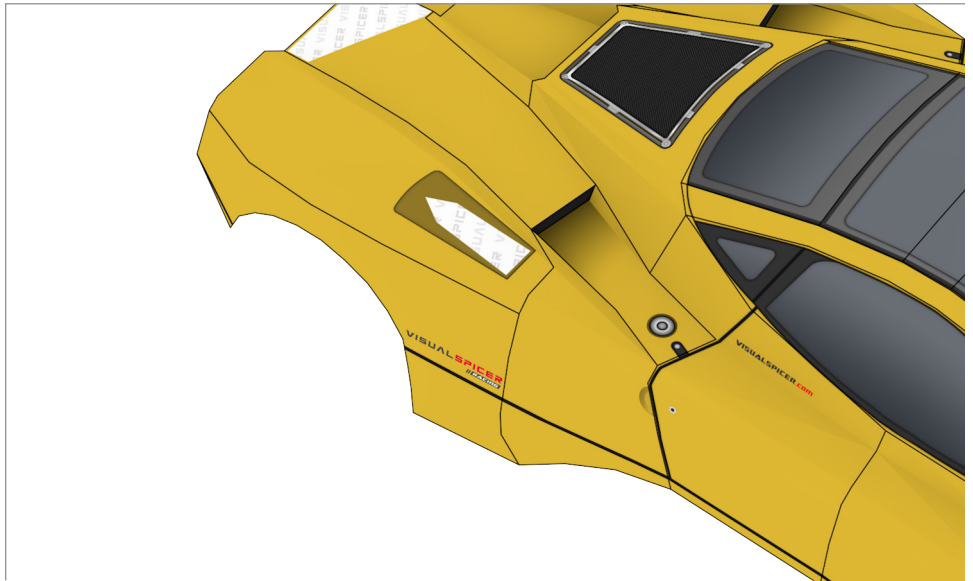
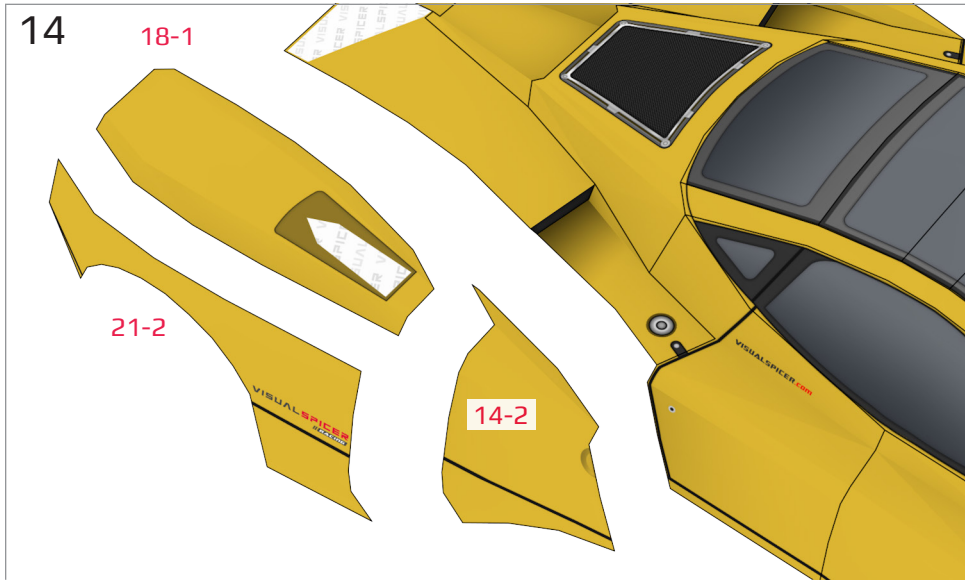


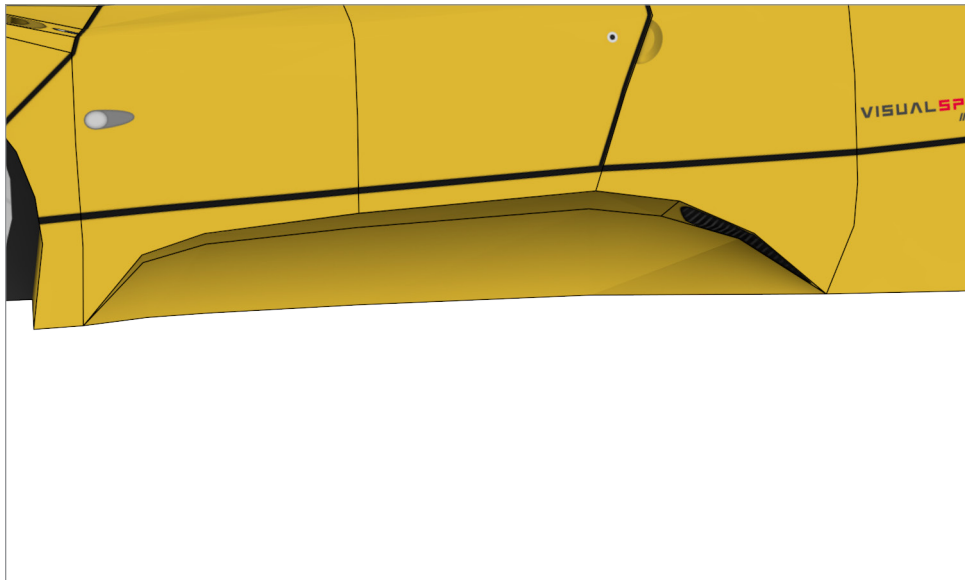
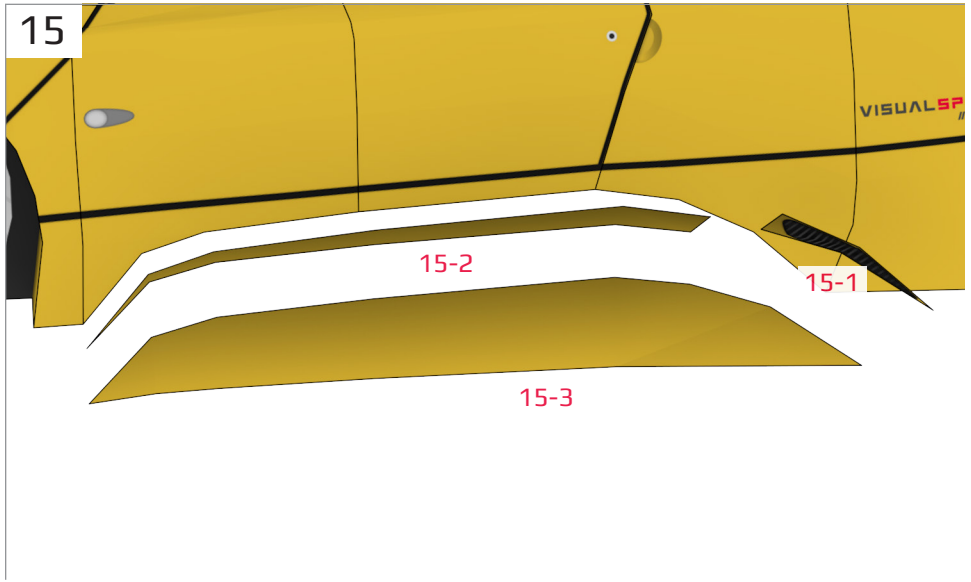
14

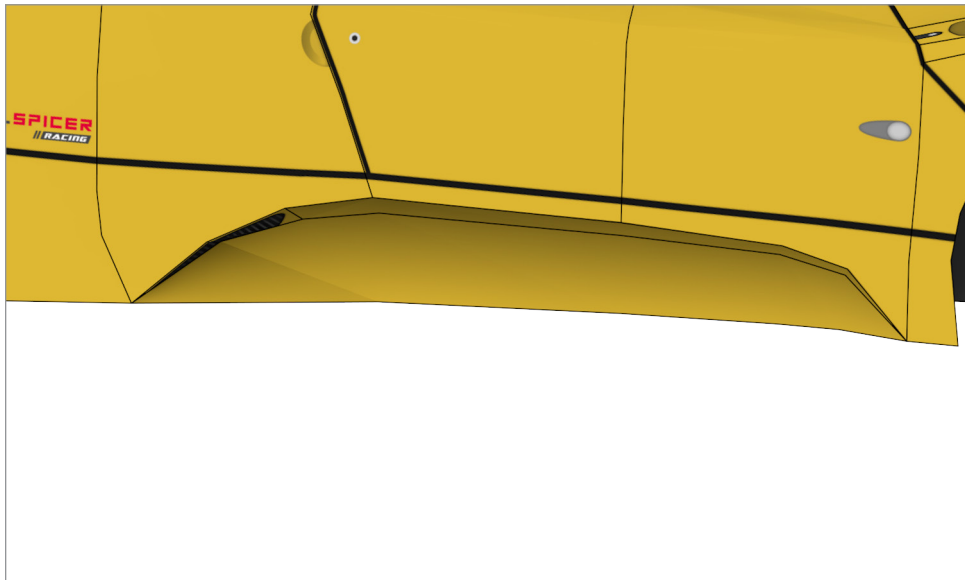
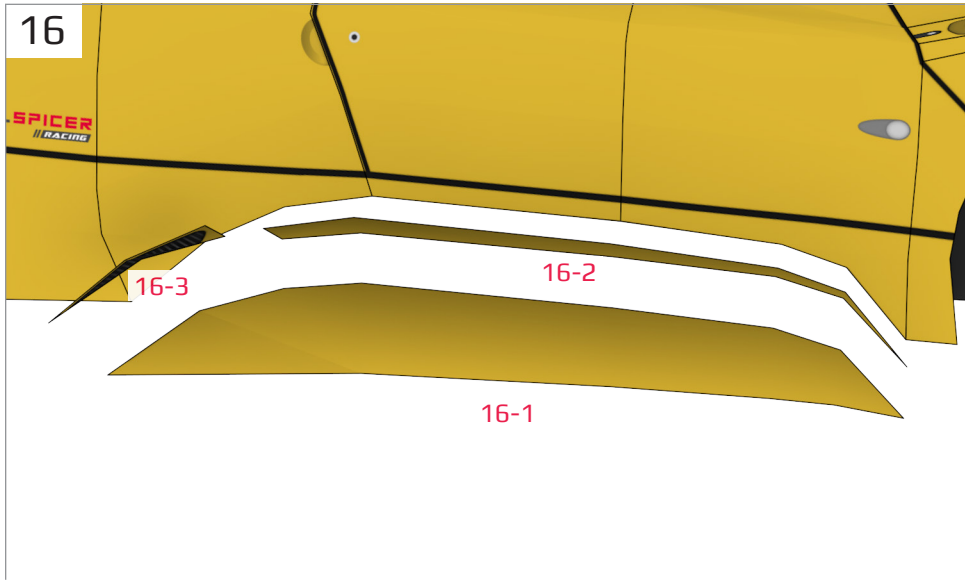
18-1

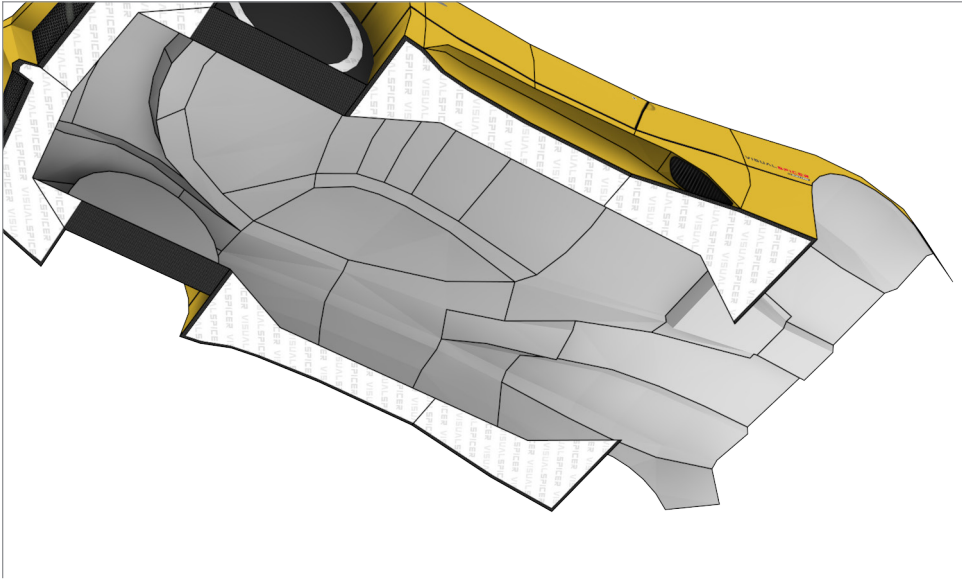
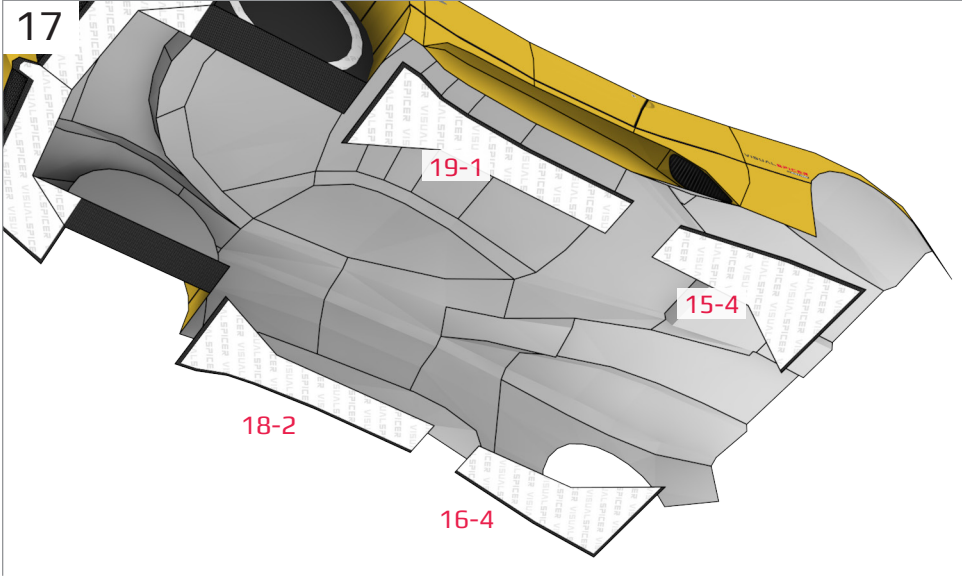
21-2

14-2

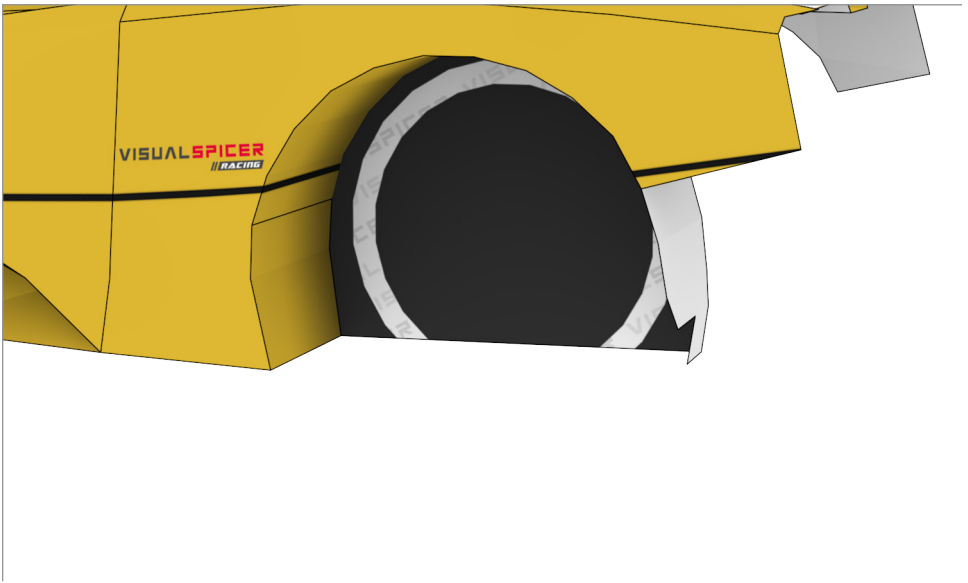
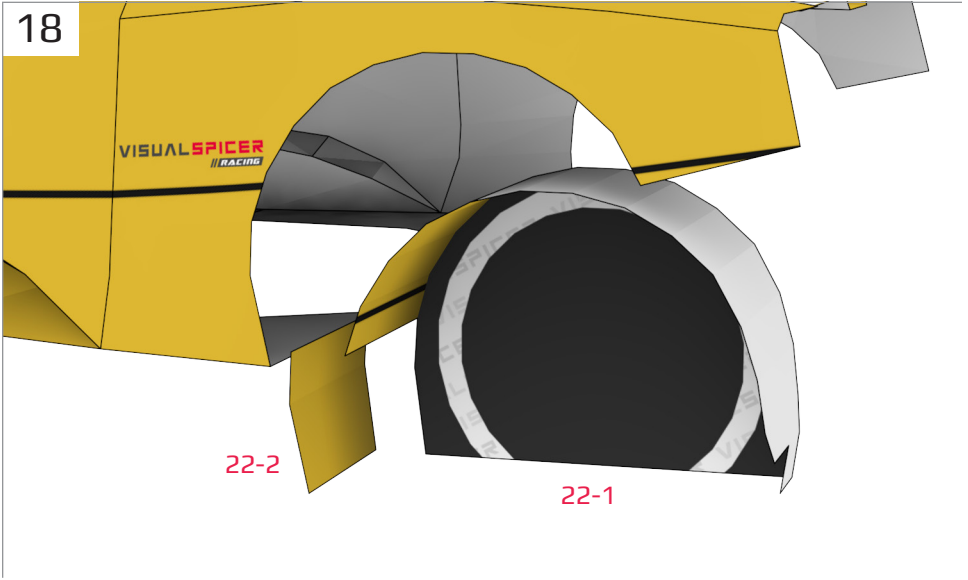




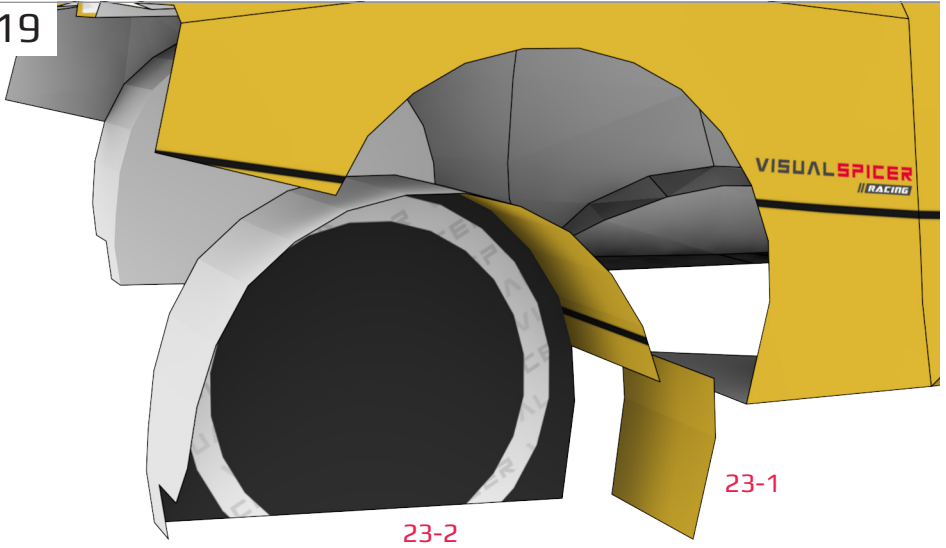




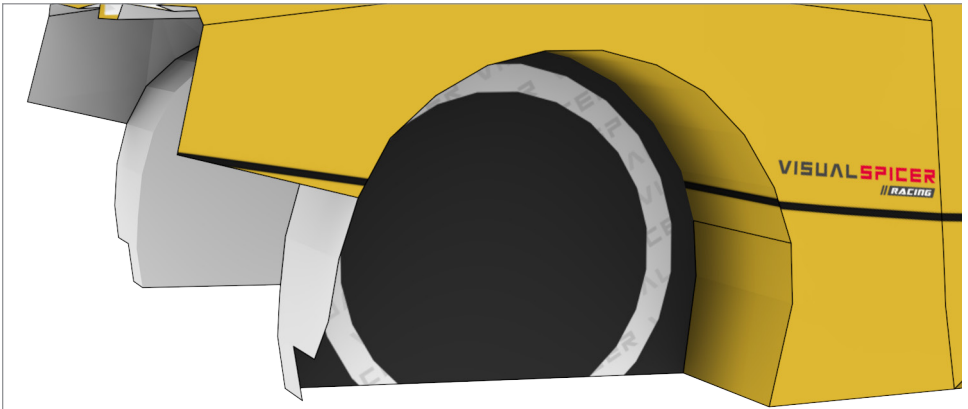
18

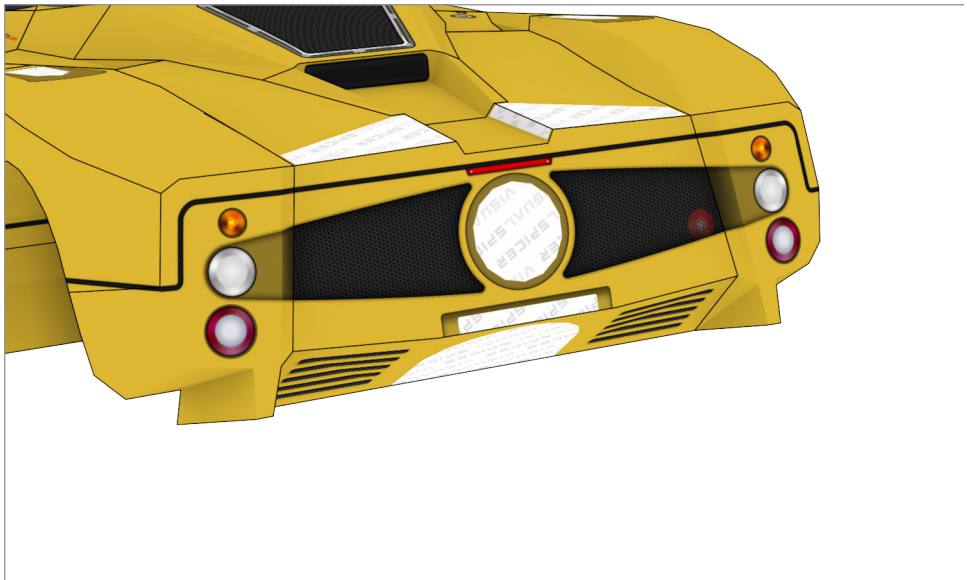
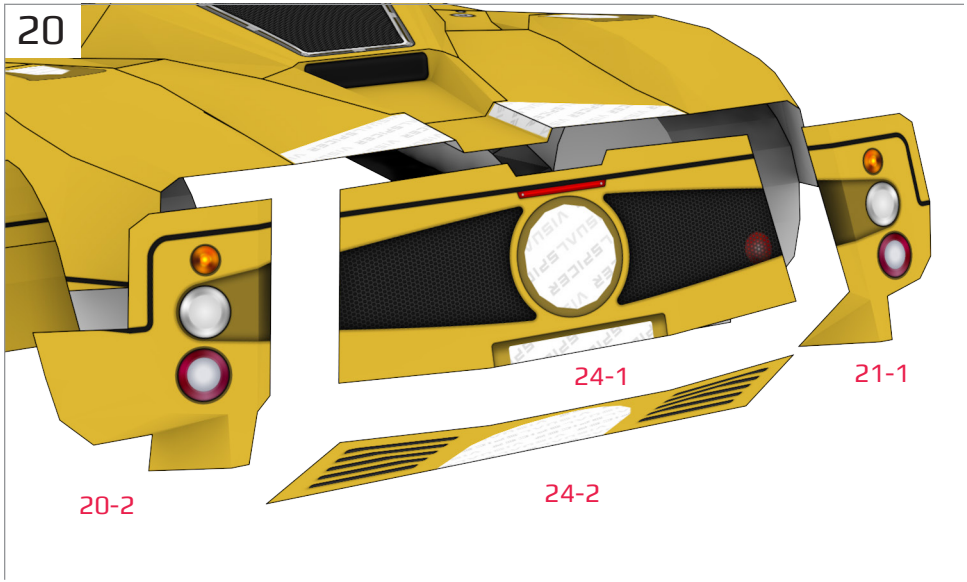


19

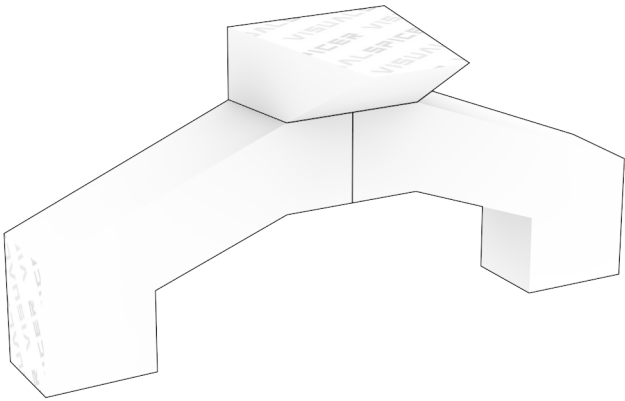
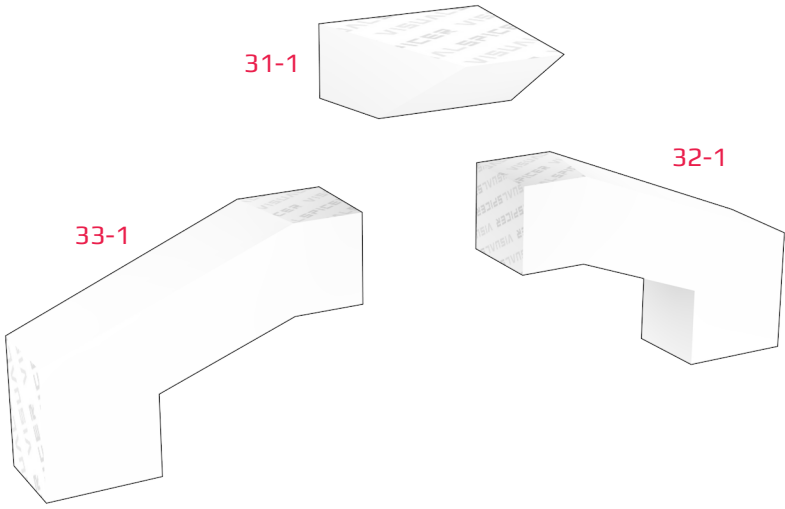


23-2

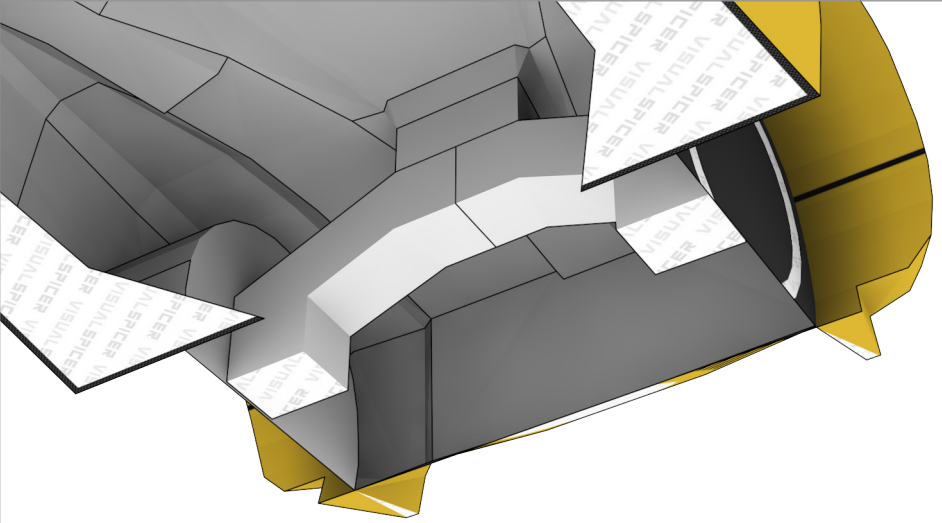
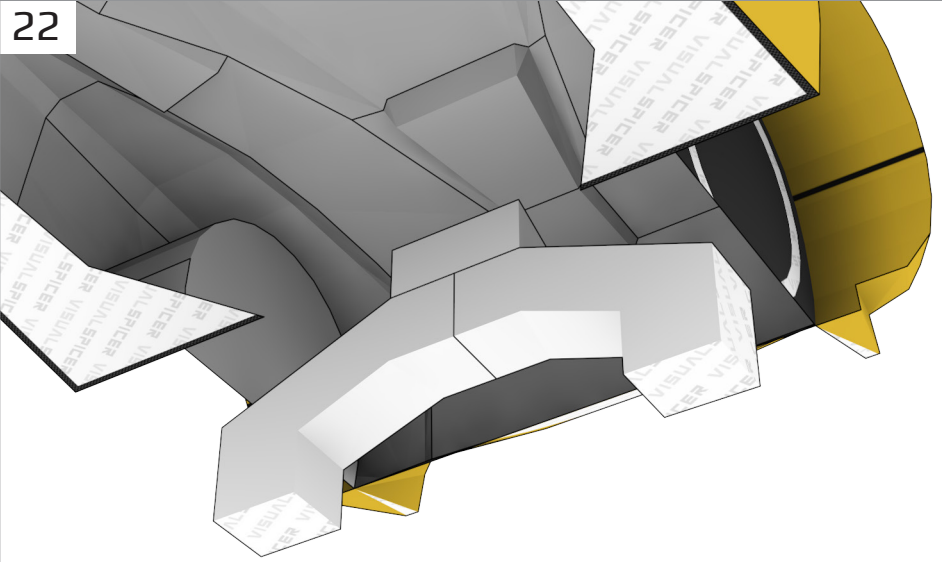




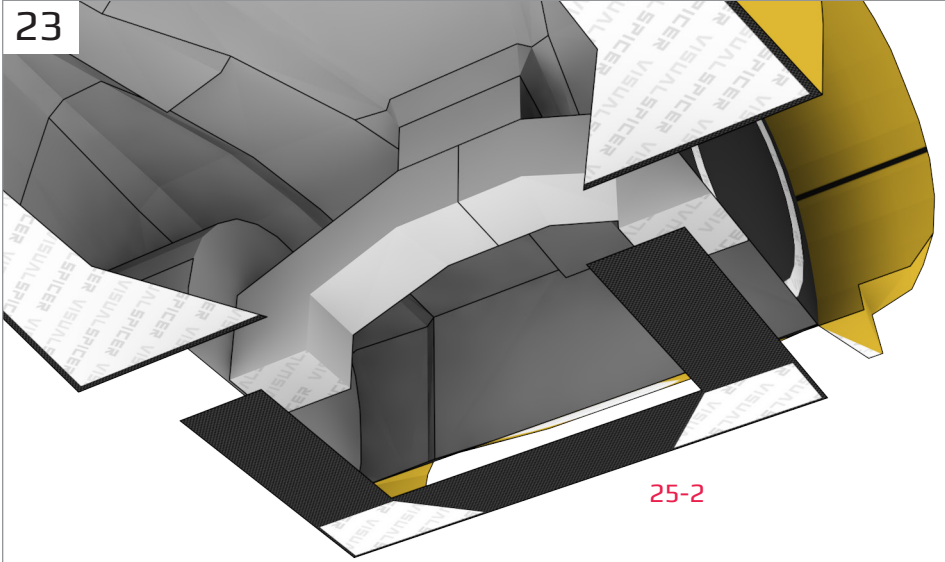
21



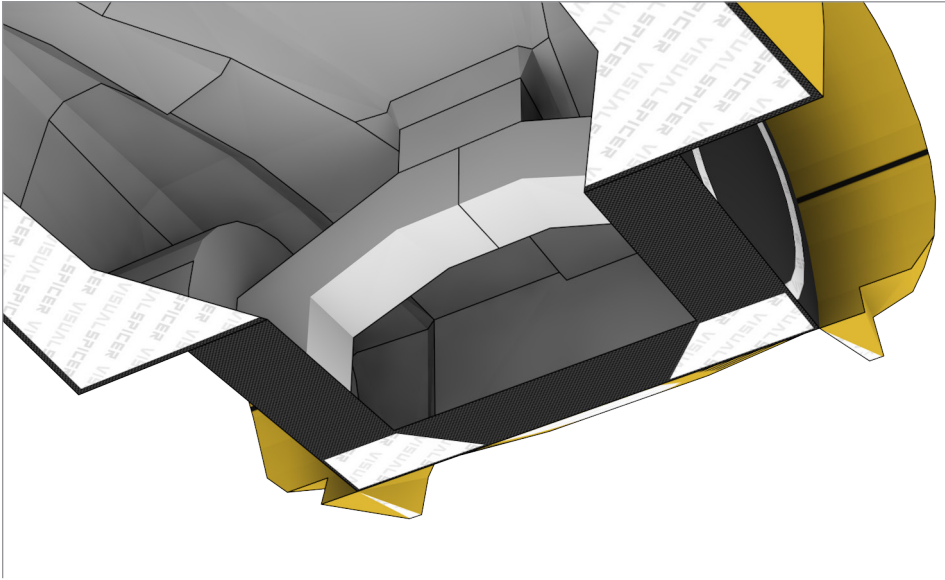
22



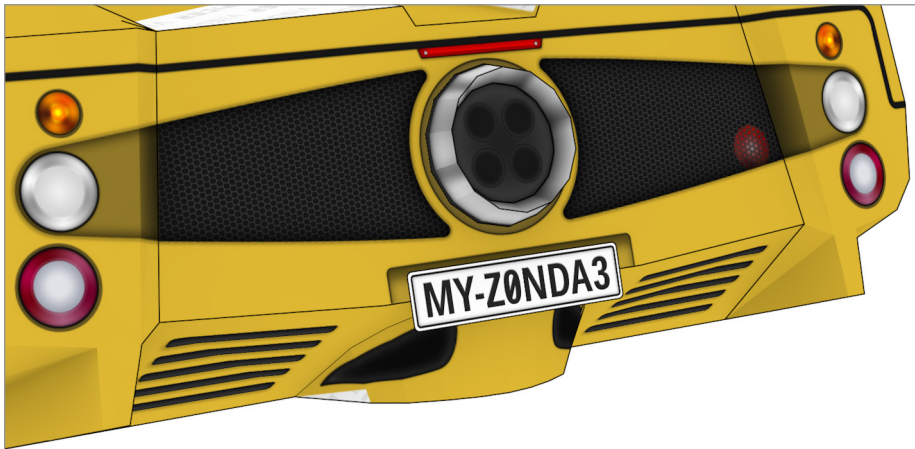
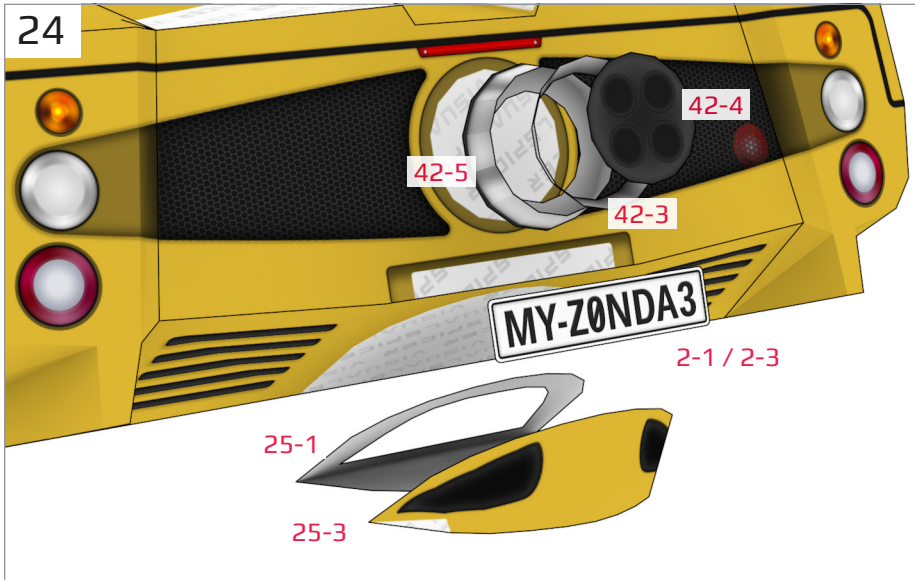
23



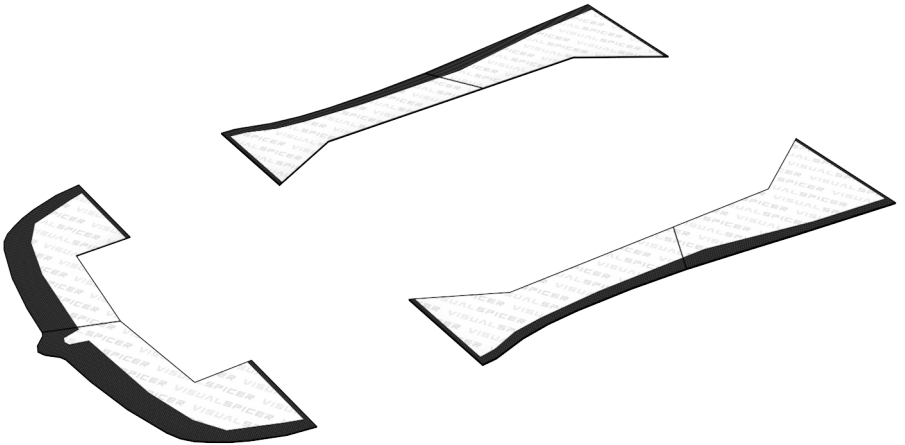
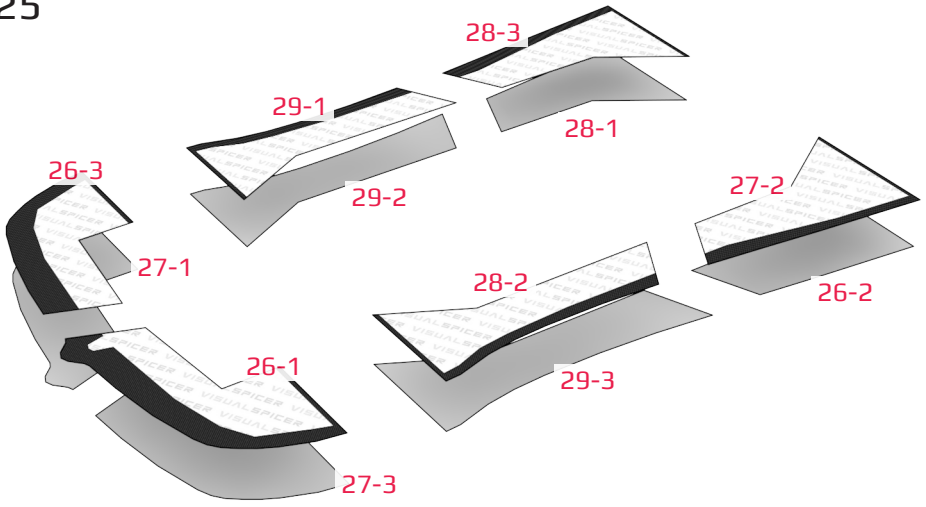
25-2



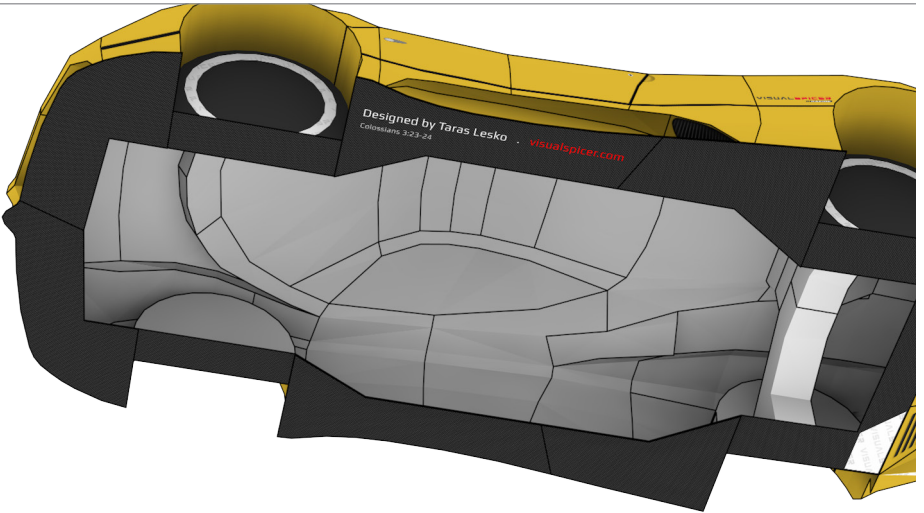
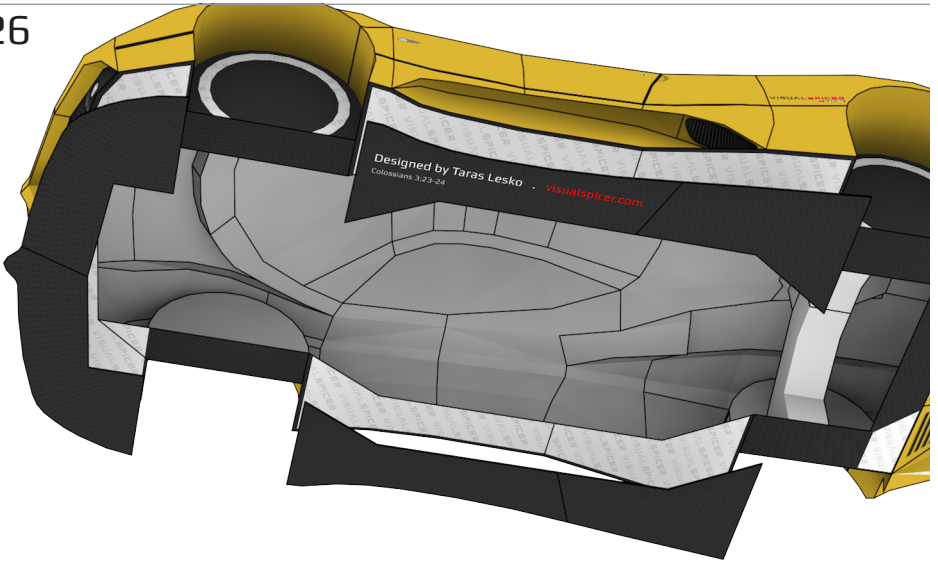
24



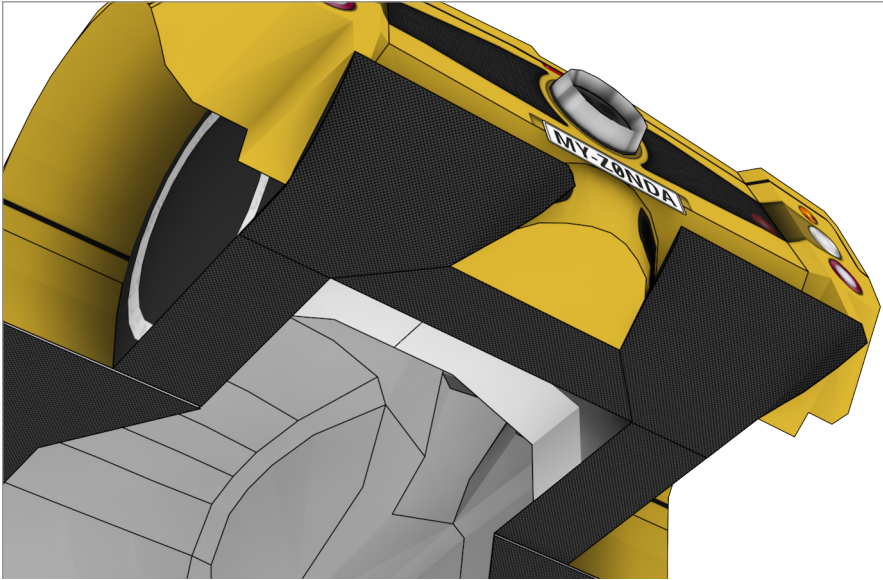
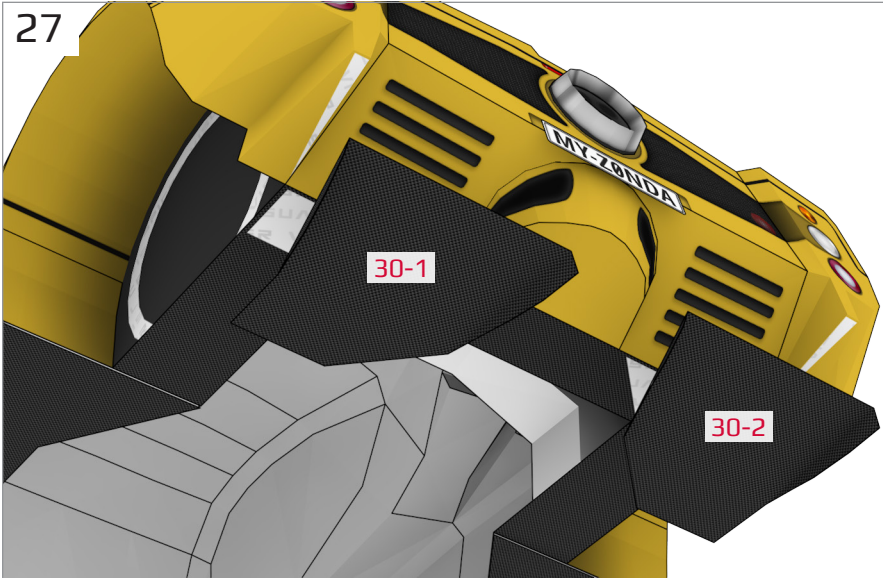
25



26



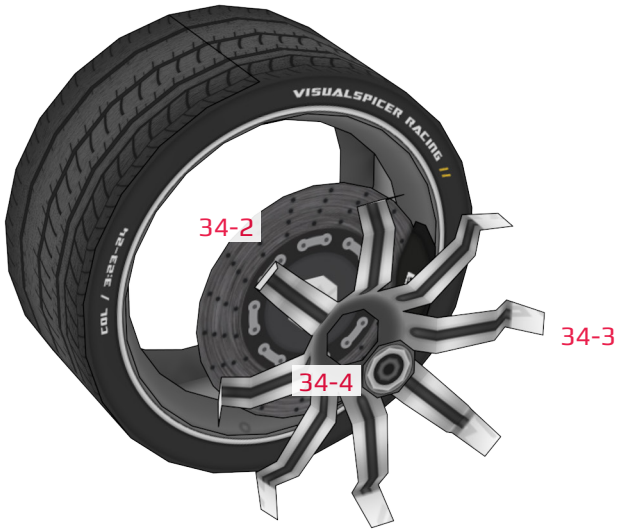
27



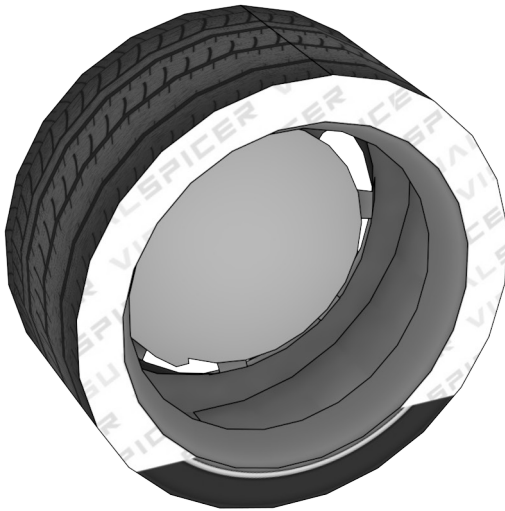
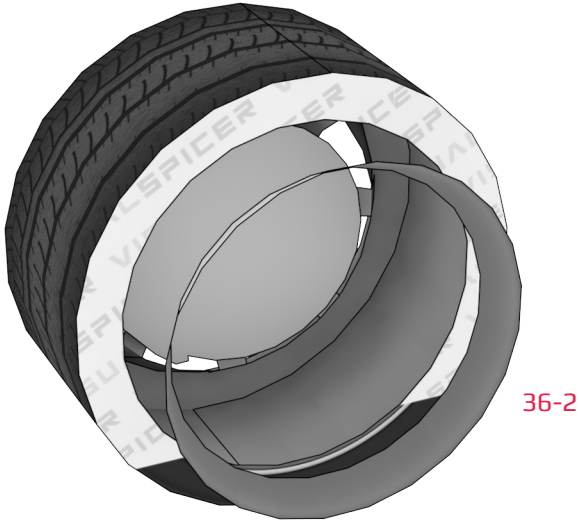
28



29



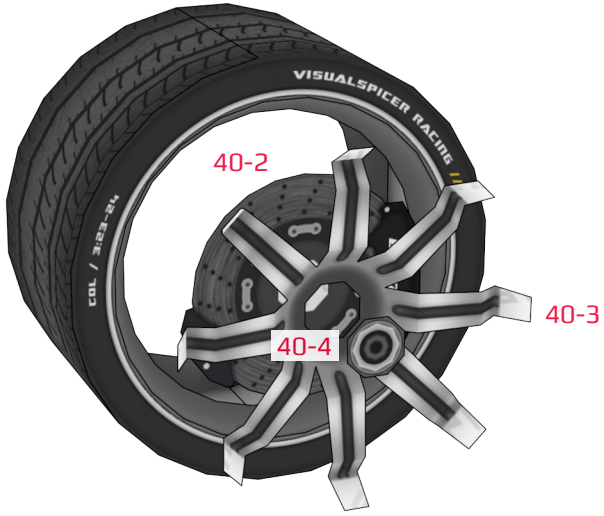
30



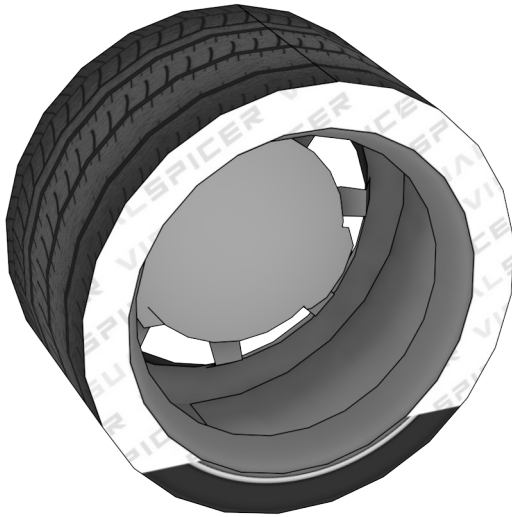
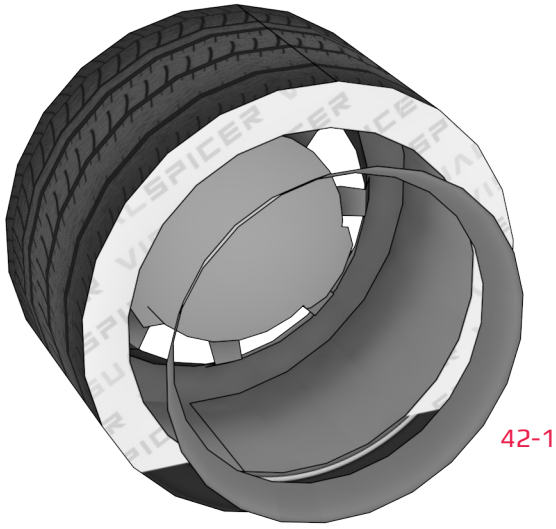
31



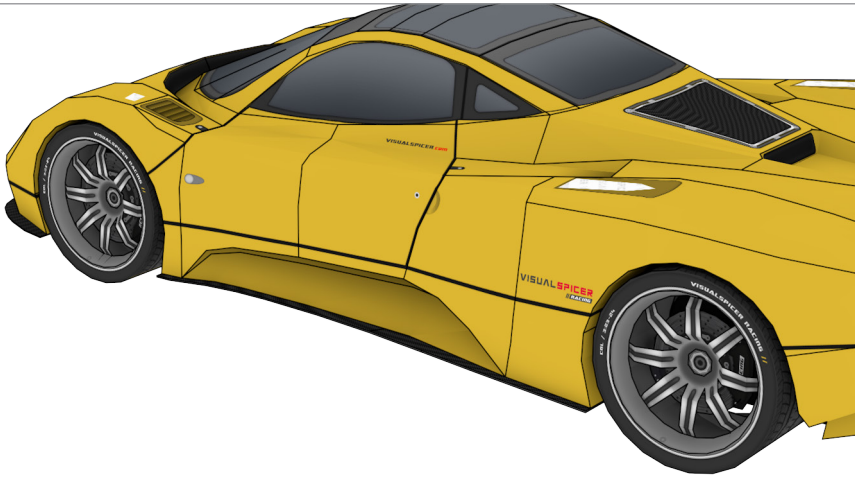
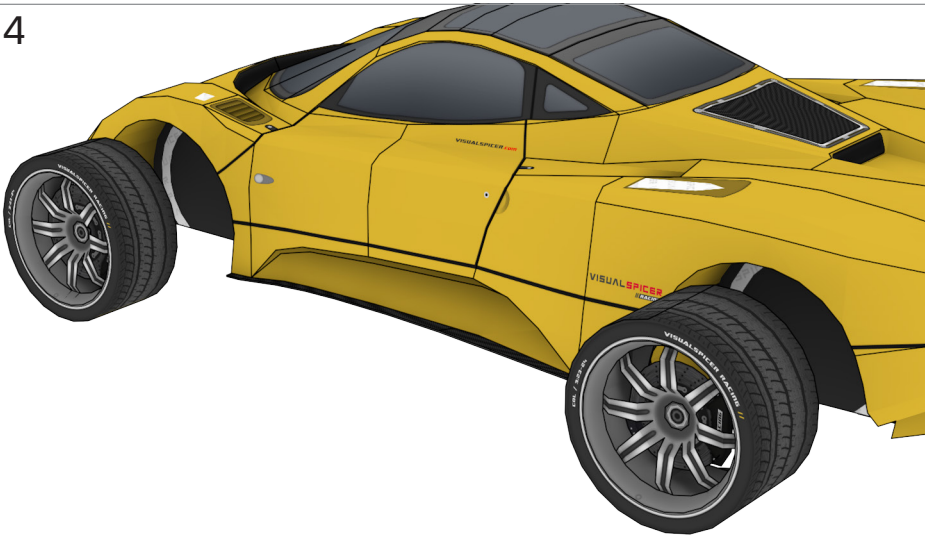
32



33

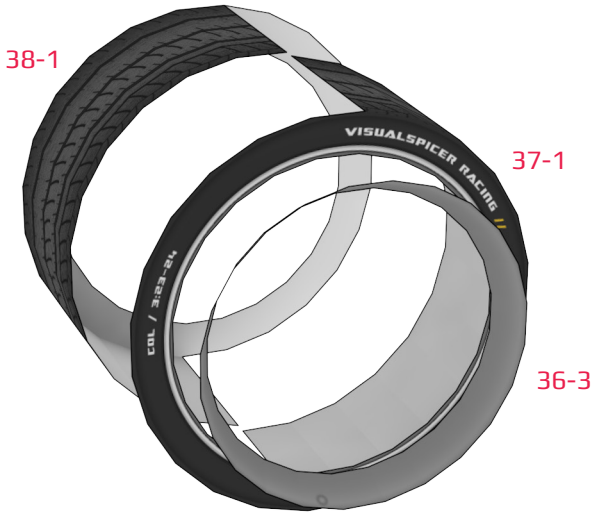


34

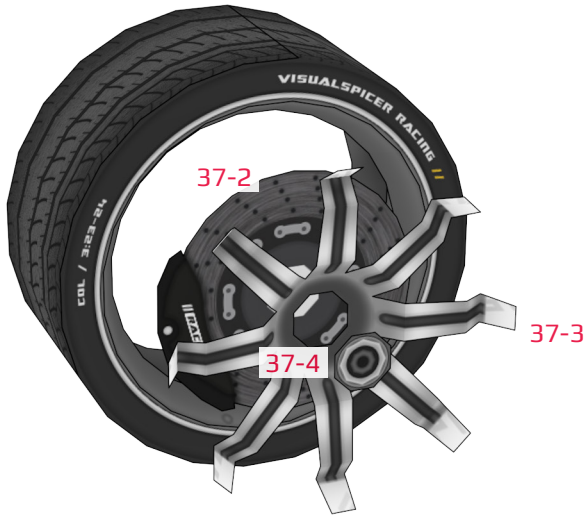


Mount wider wheel in the rear.

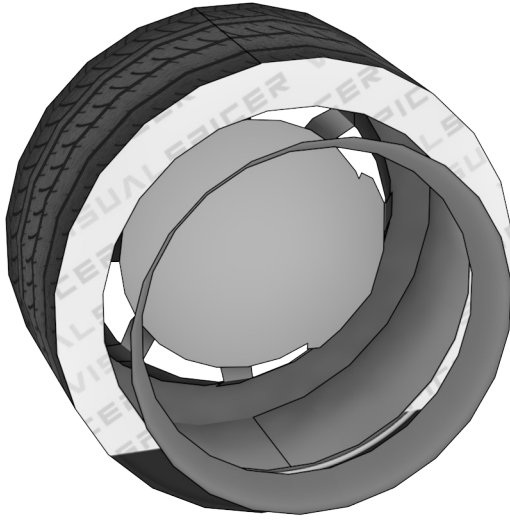
35



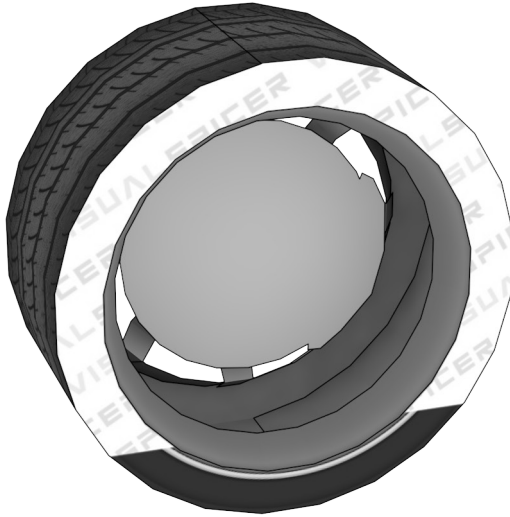
36



37

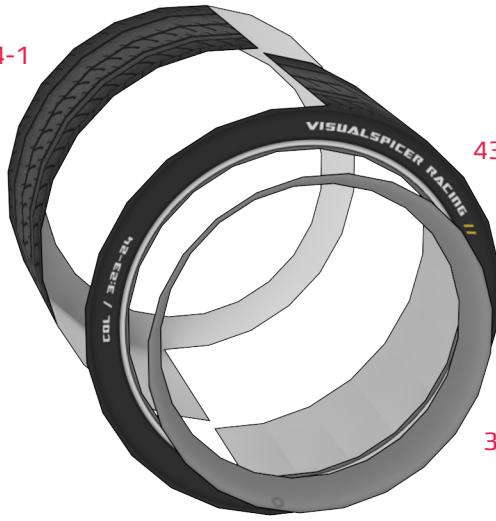


39-1



38

44-1

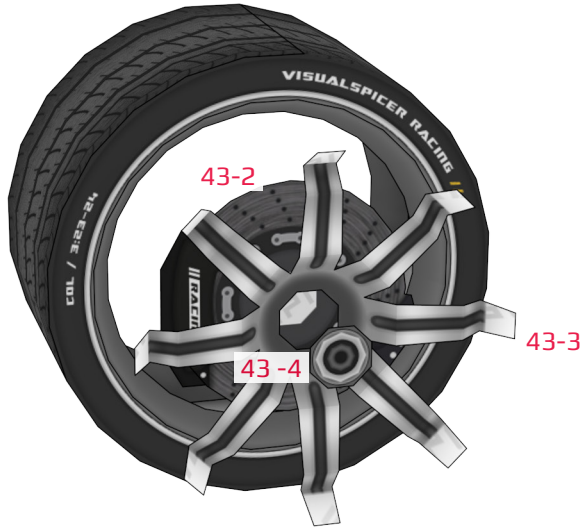


43-1

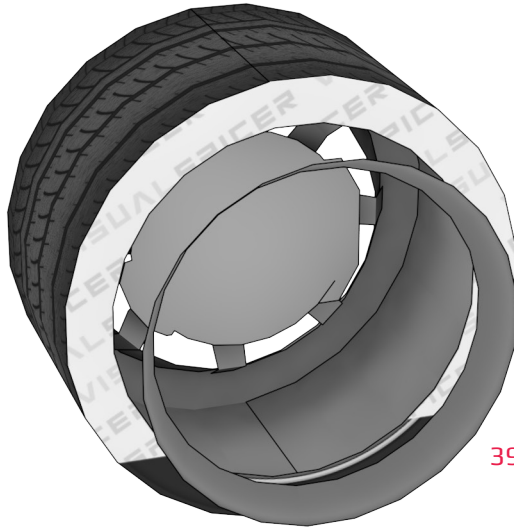
39-2



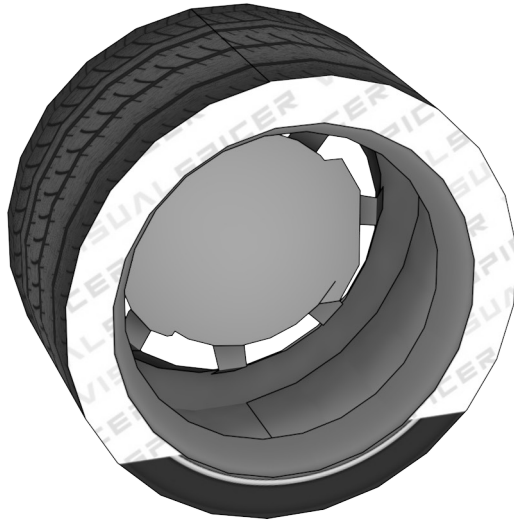
39



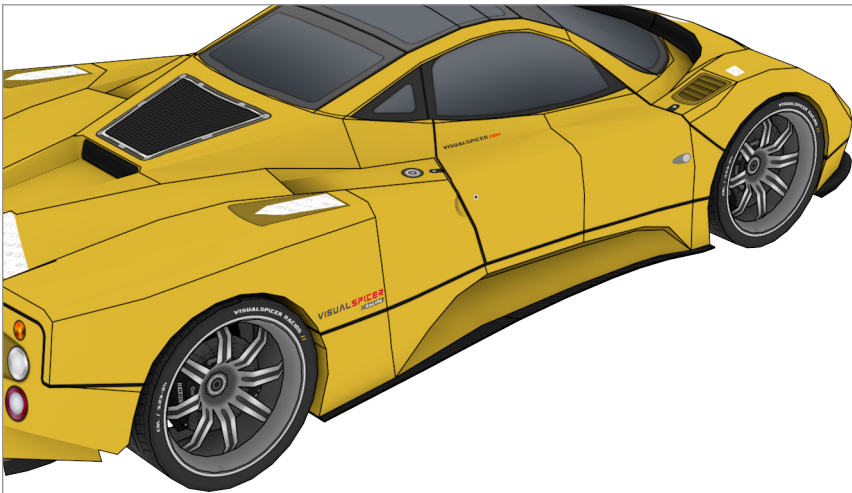
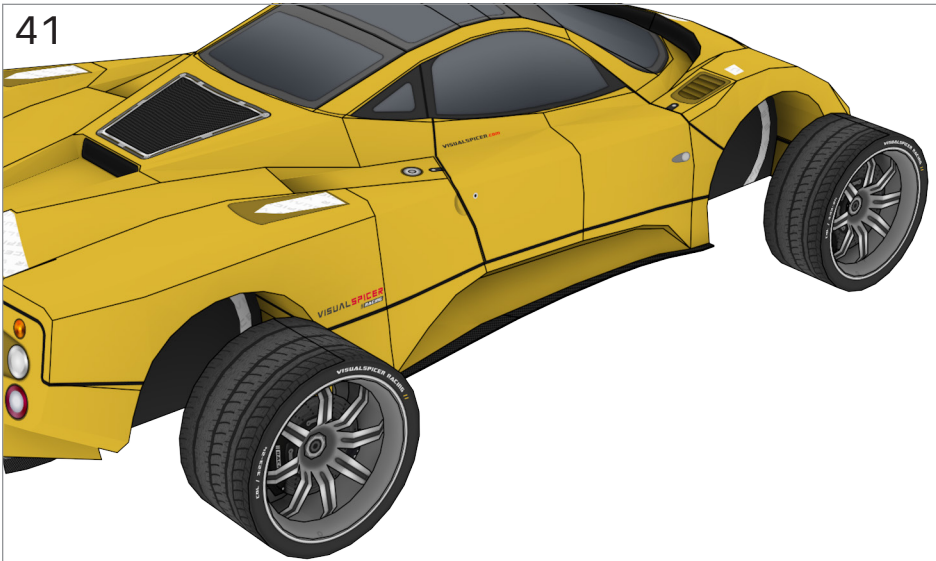
40



39-3

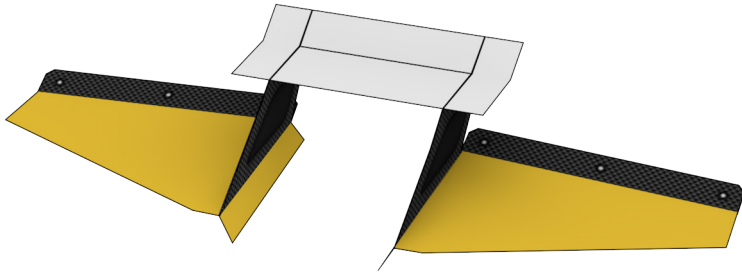
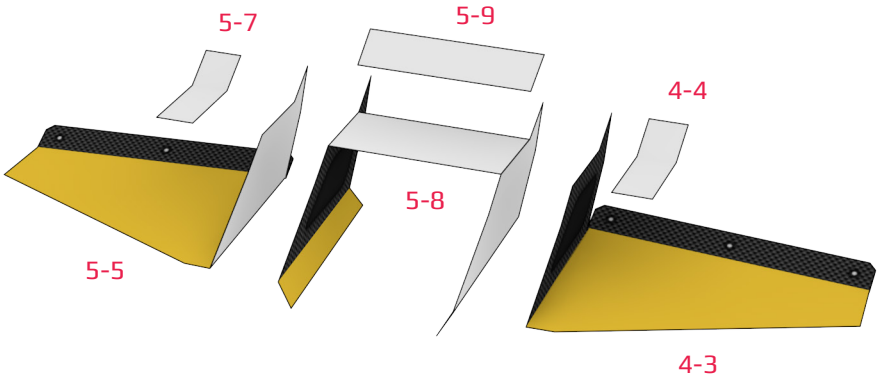


41

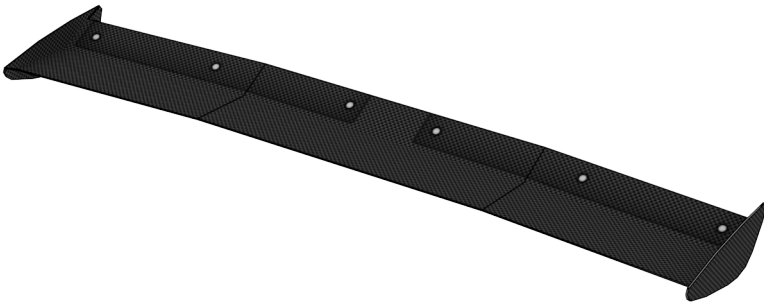
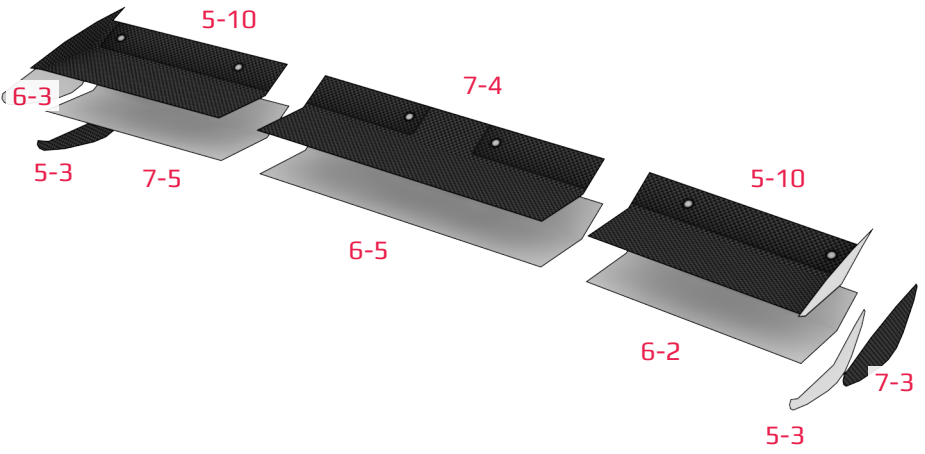


Mount wider wheel in the rear.

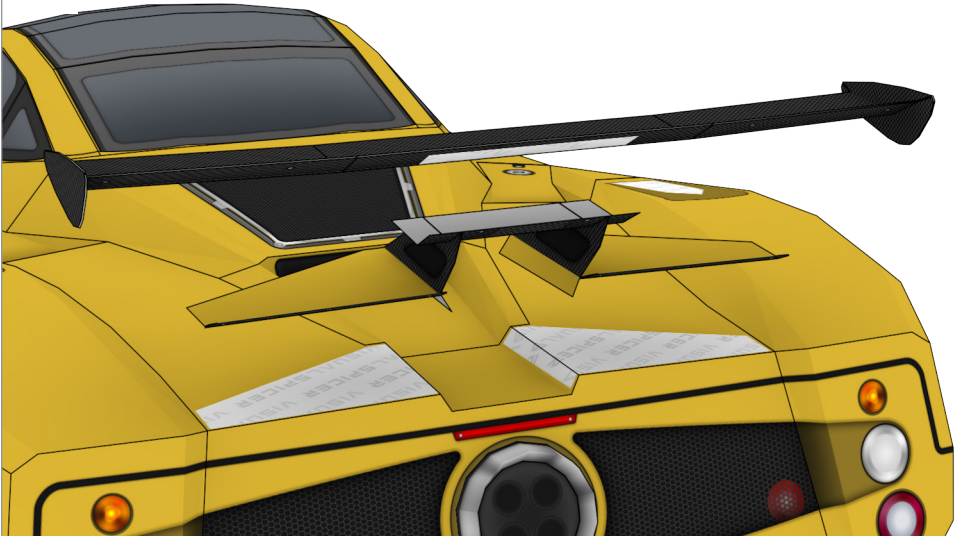
42



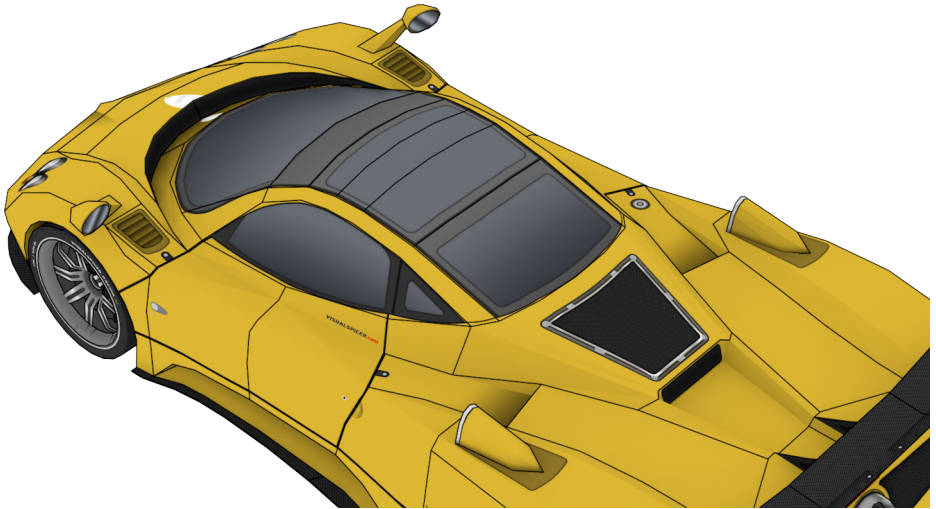
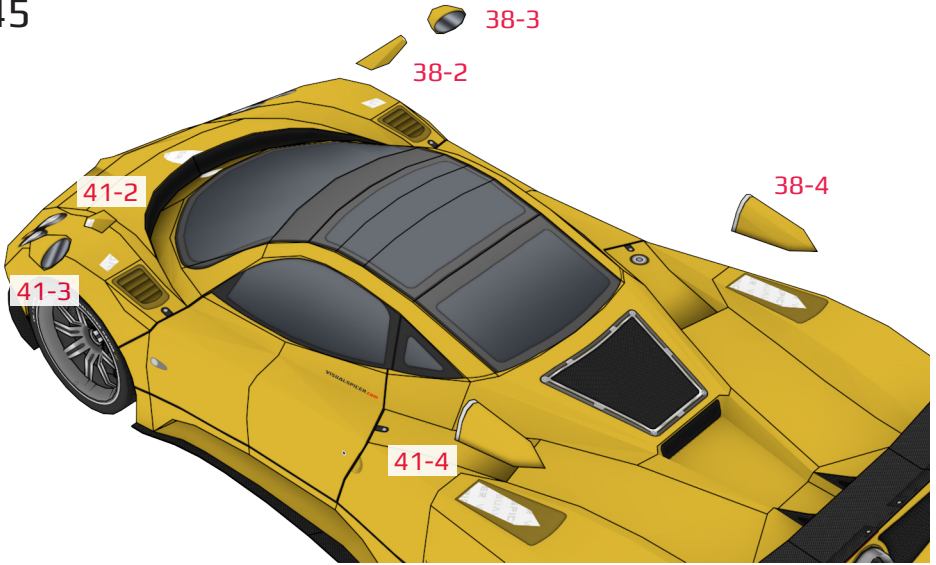
43

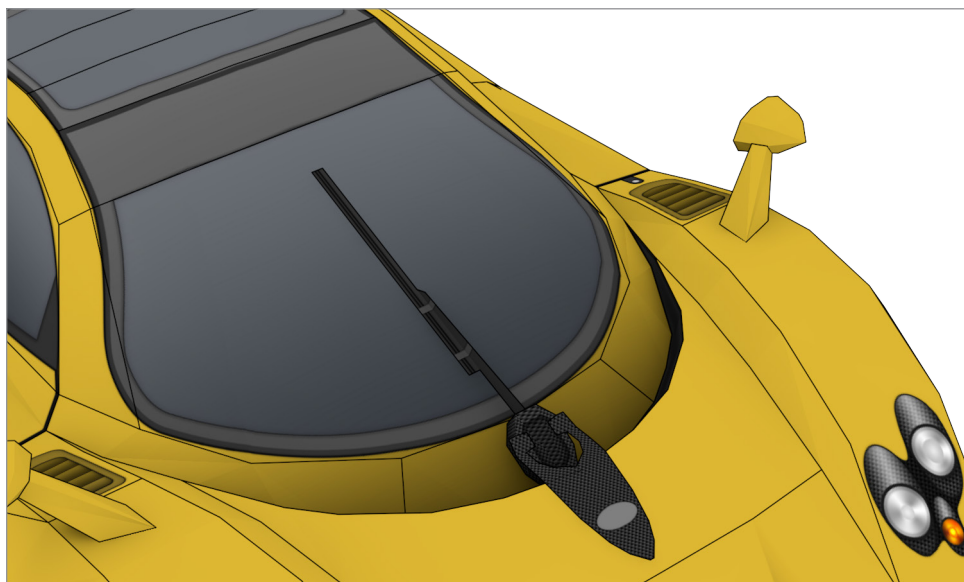
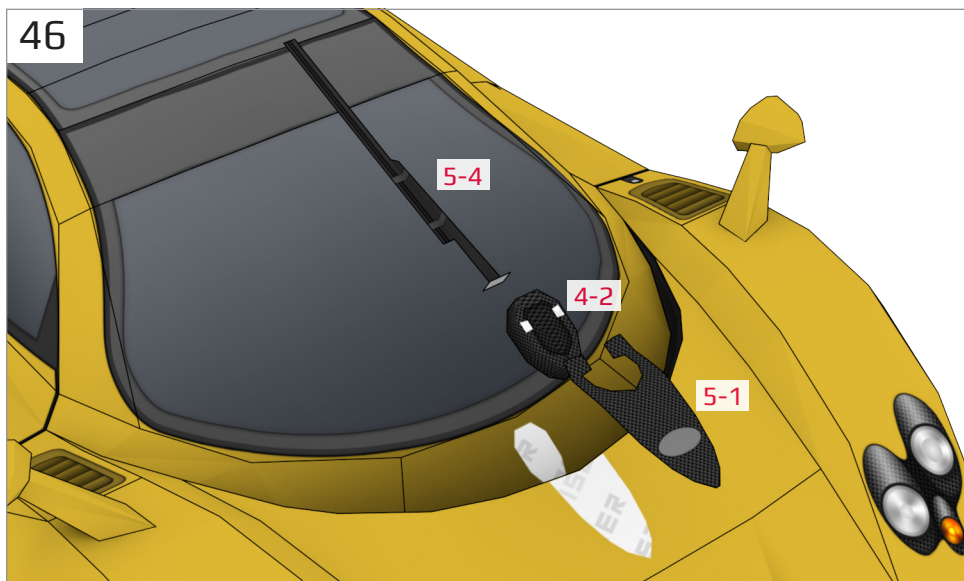


44



45





THANK YOU

Visit visualspicer.com for more of my creative work and downloadable papercrafts. Send questions, suggestions or comments to mail@visualspicer.com.



Colossians 3:23-24

Whatever my hands find to do, I work at it with all my heart,
as working for the Lord, Jesus Christ...