

'VETTE
YELLOW LIGHTNING



Designed by Taras Lesko
visualspicer.com

Recommended Tools

- Craft glue
- X-Acto knife
- Scissors
- Markers
- Industrial tweezers

Miscellaneous

- Glue only one part at a time.
- Glue only two or three tabs at a time.
- Experiment, enjoy and have fun!


Templates

Cut line



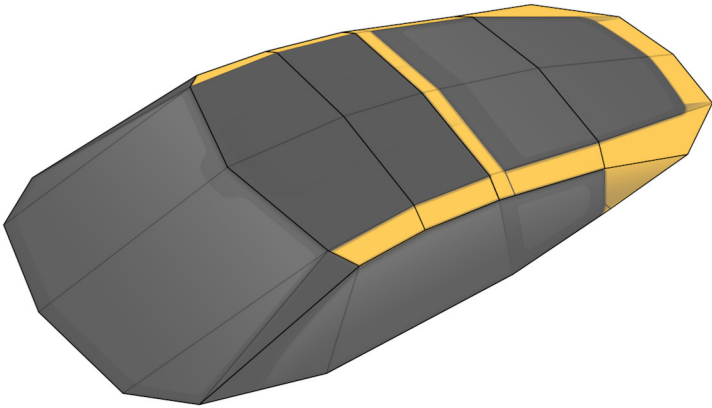
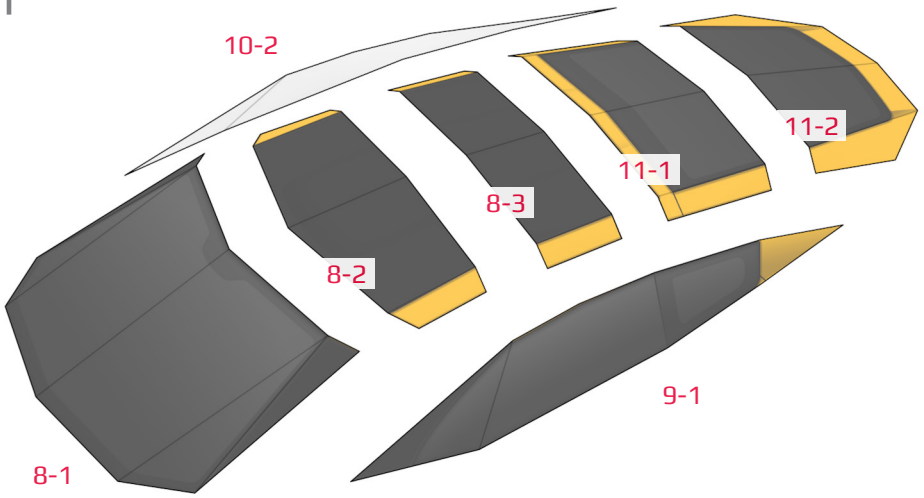
Mountain fold line 



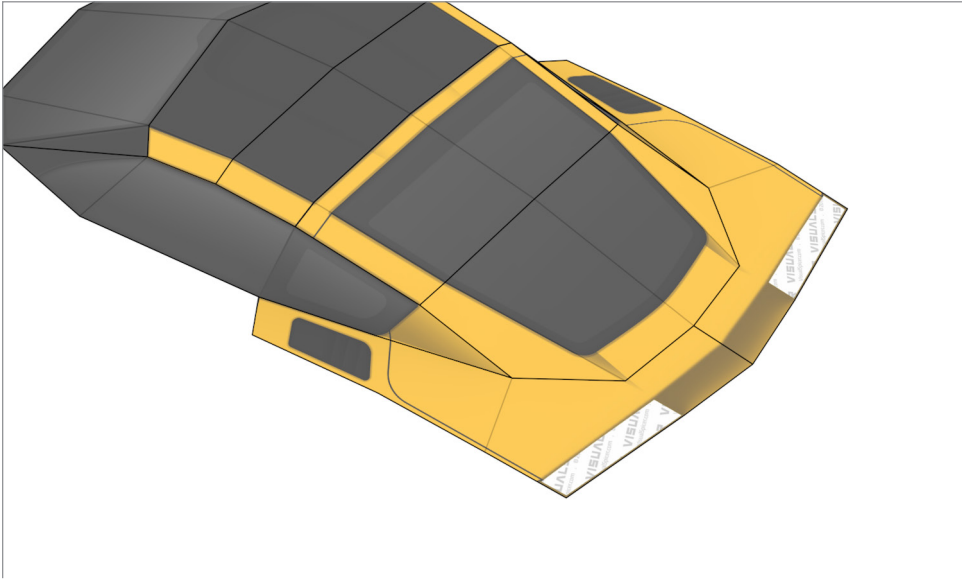
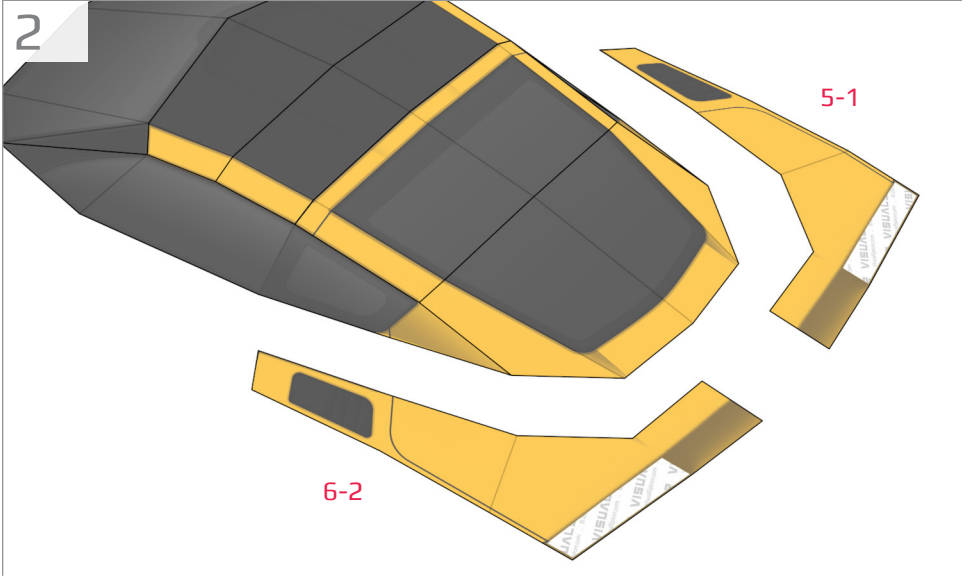
Valley fold line 



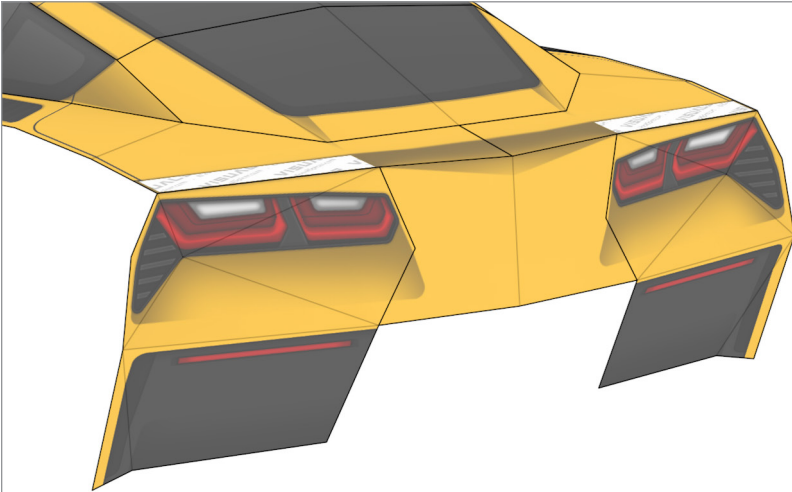
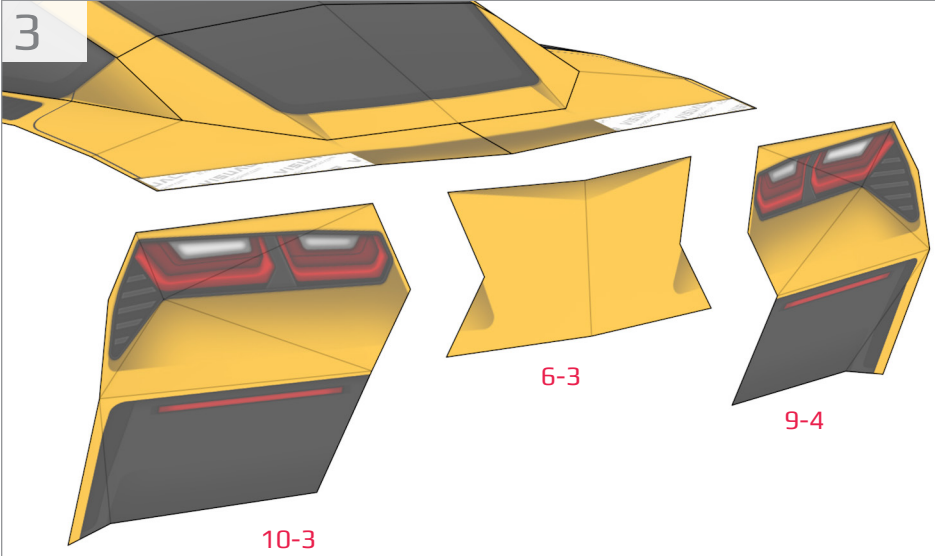
1



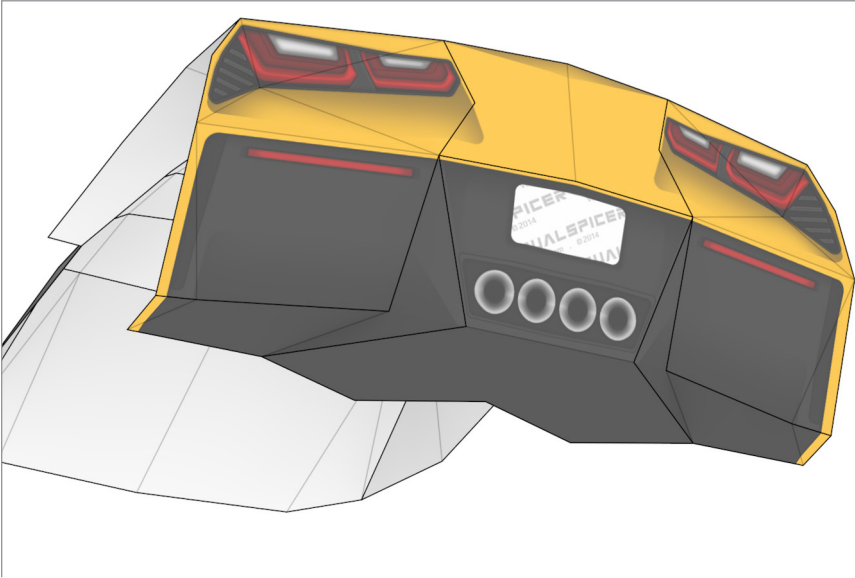
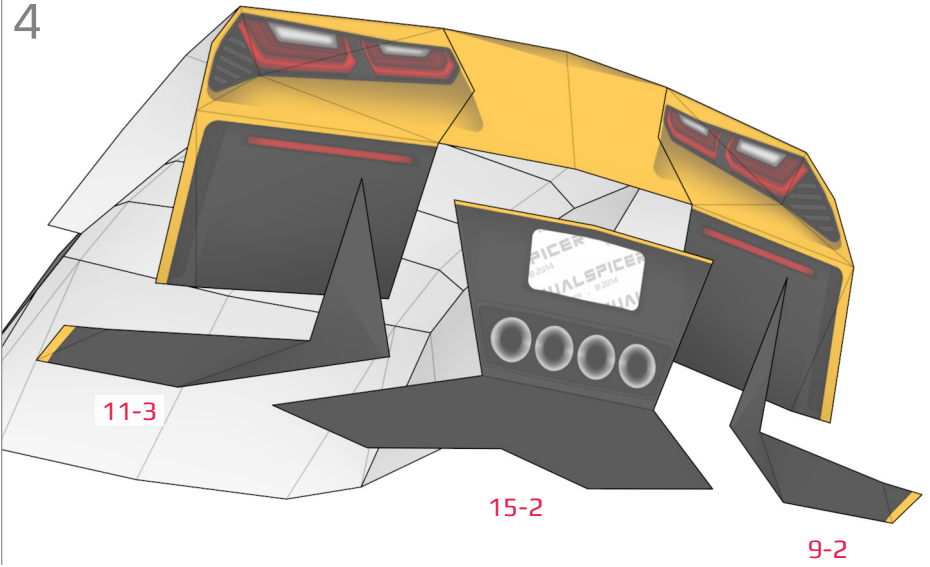
Find parts for each step by referencing Templates page number then part number. For example, 1-2 is Templates page 1, part 2.



3



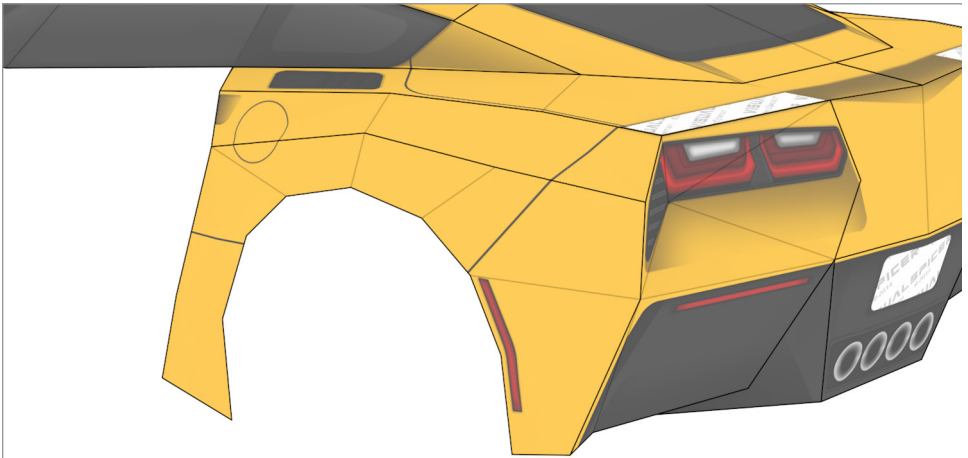
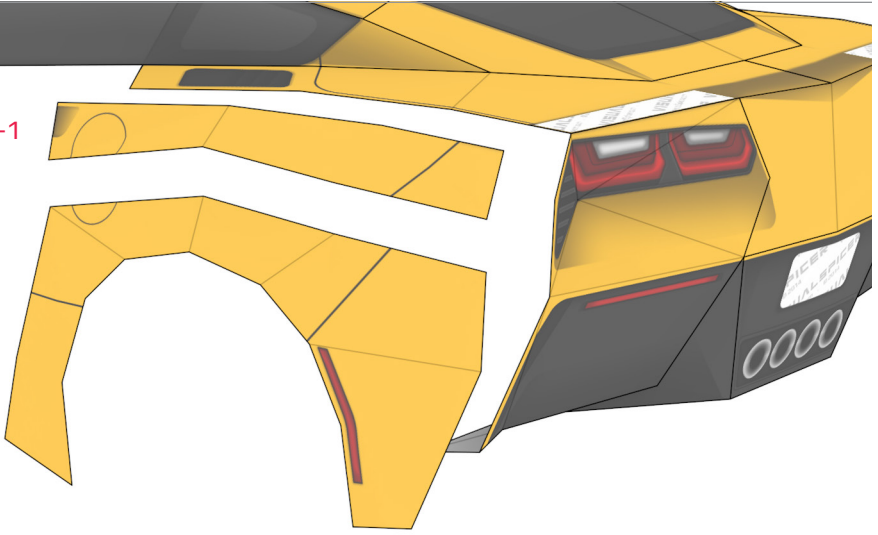
4



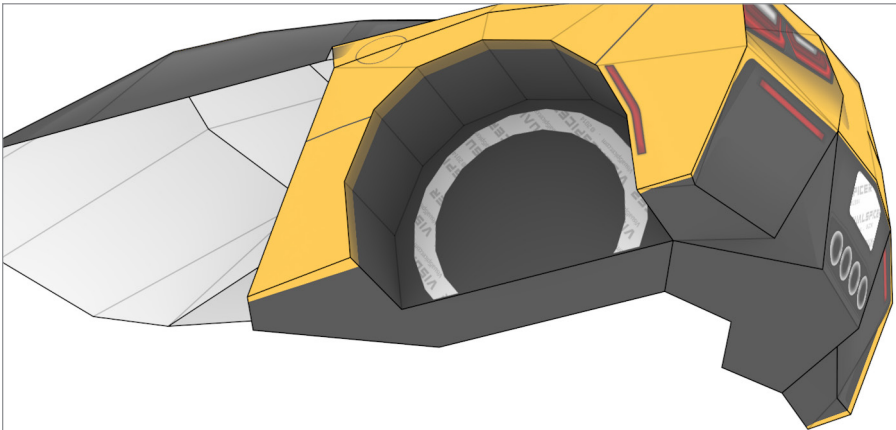
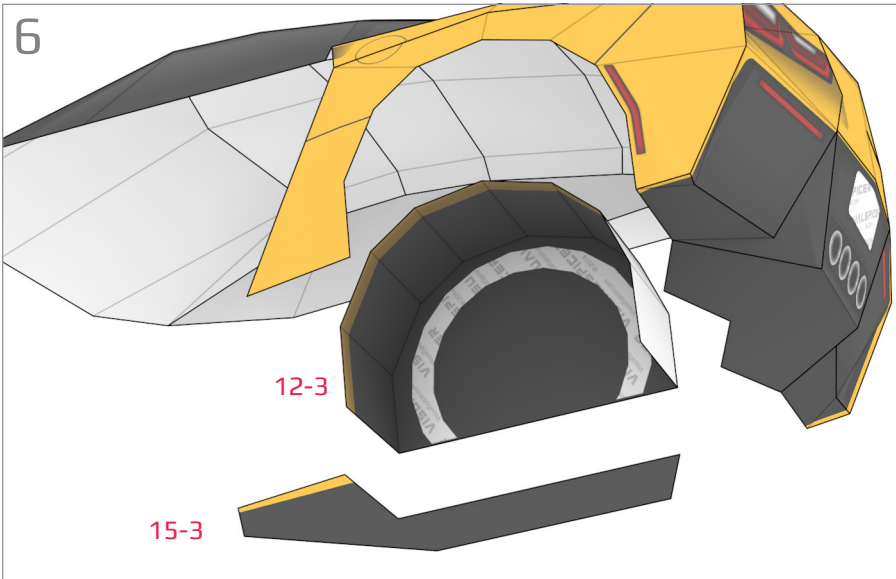
5

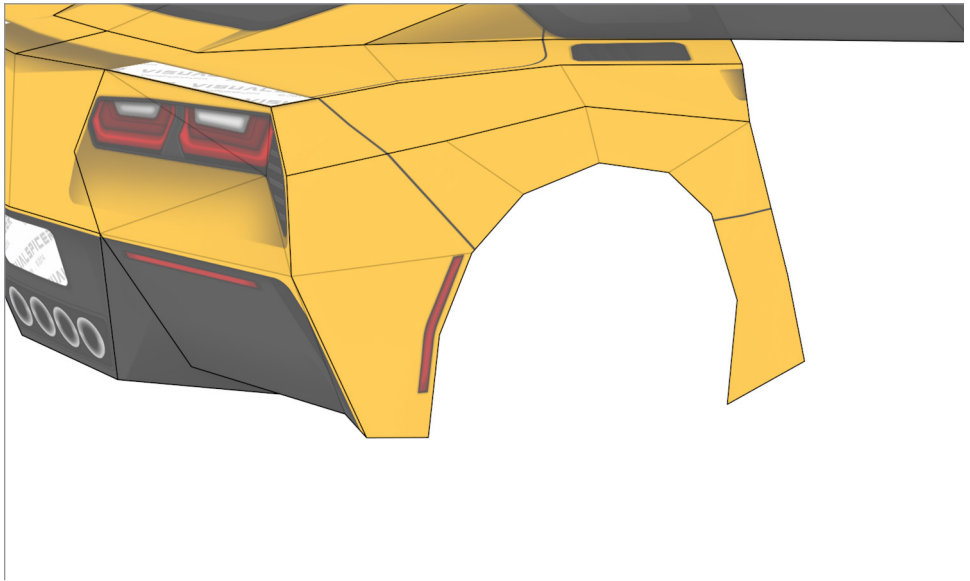
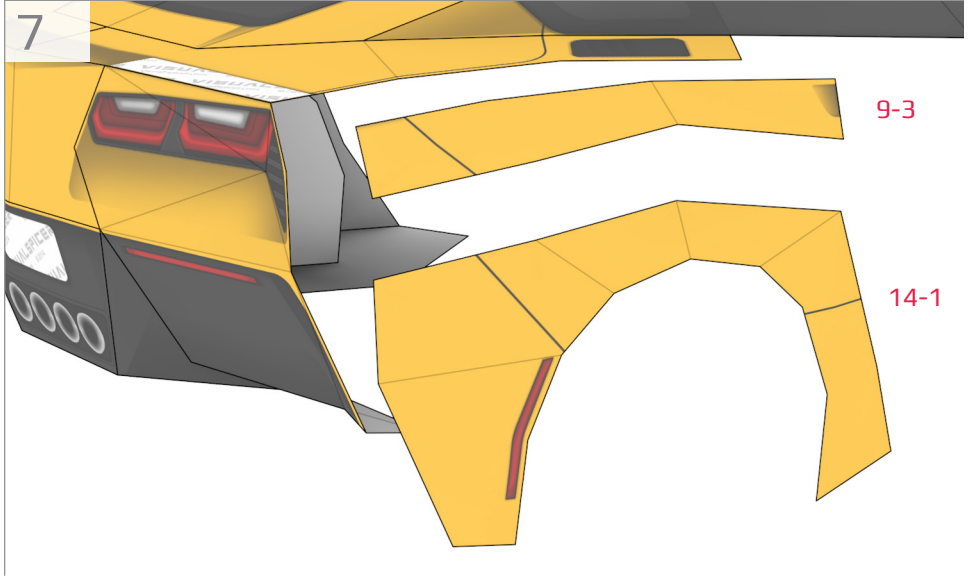
1-1

17-2

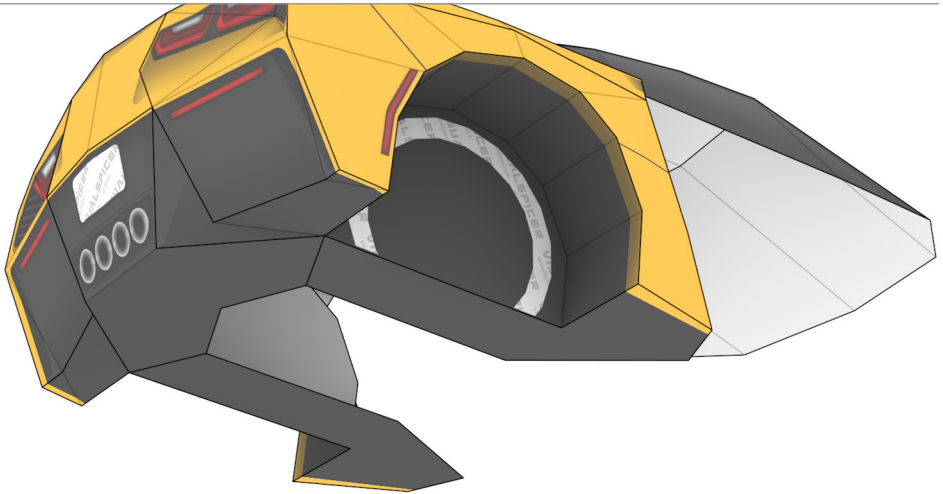
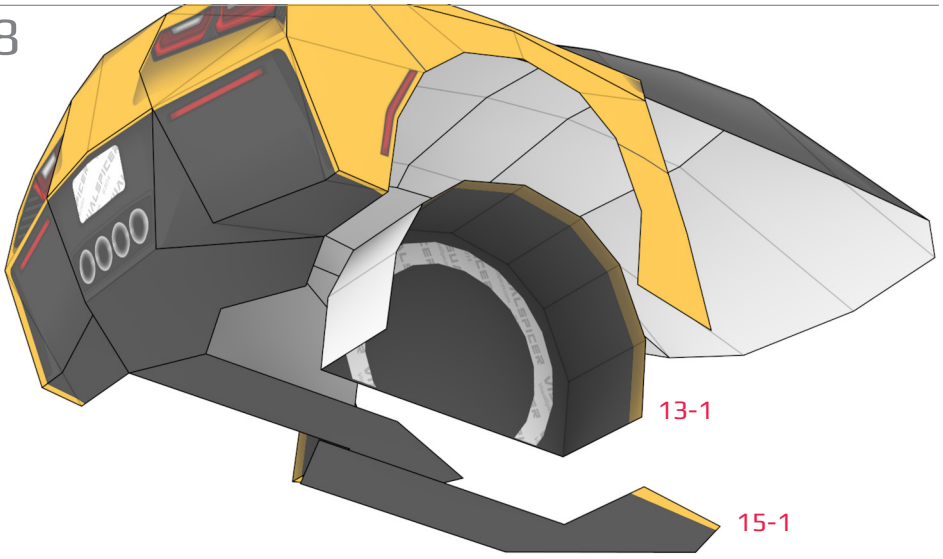


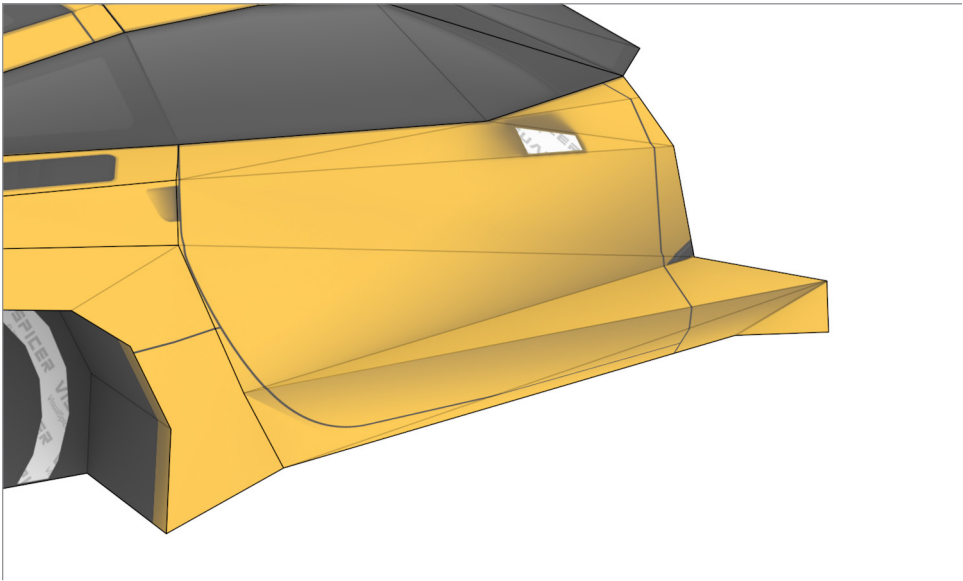
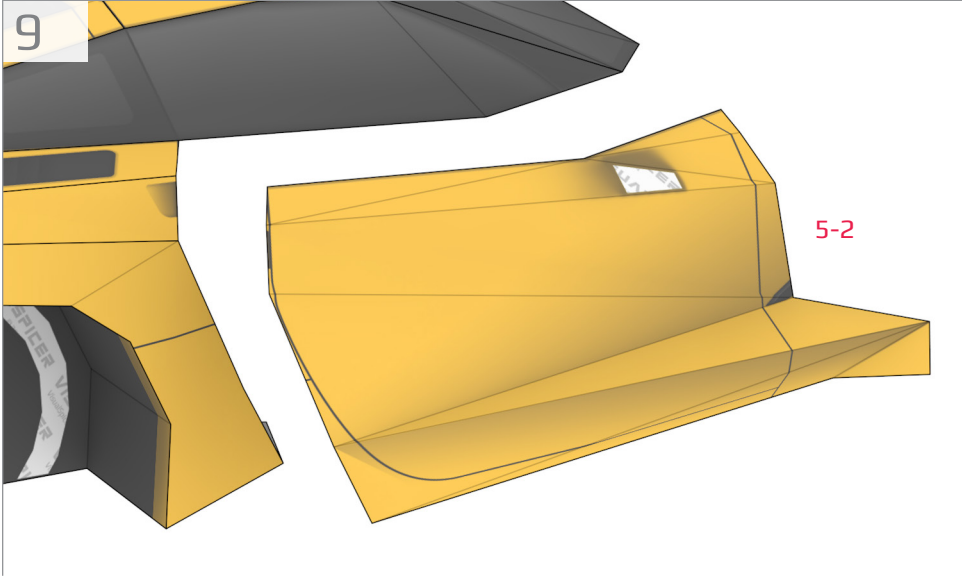
6





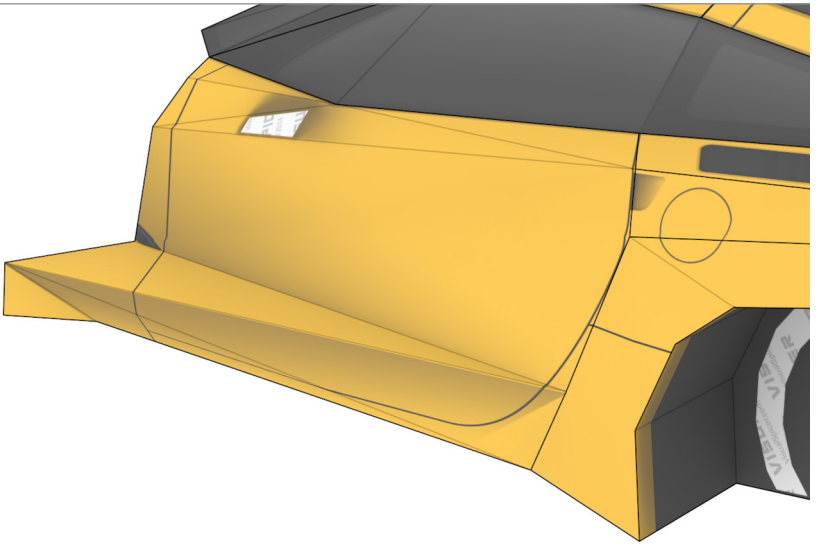
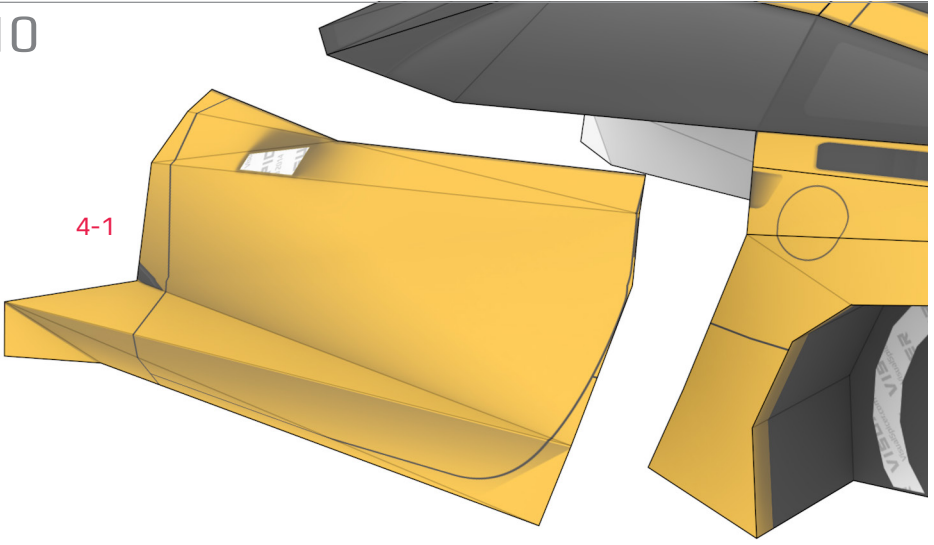
8



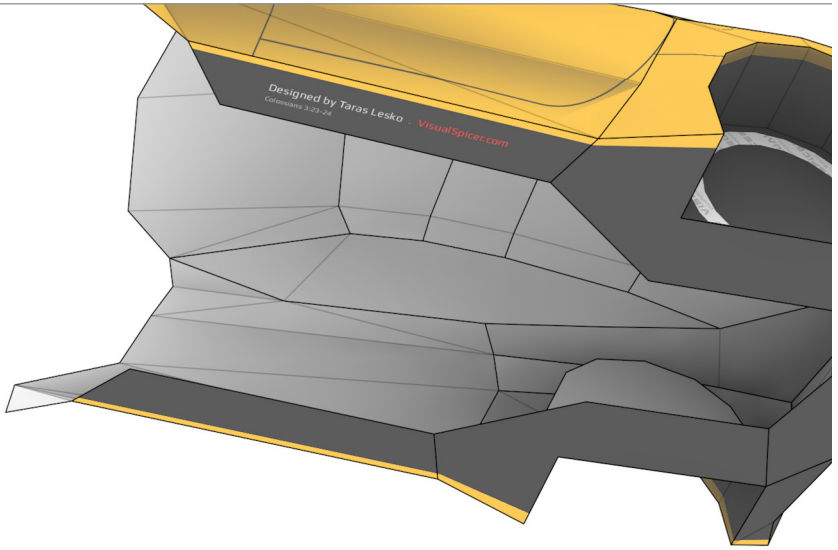
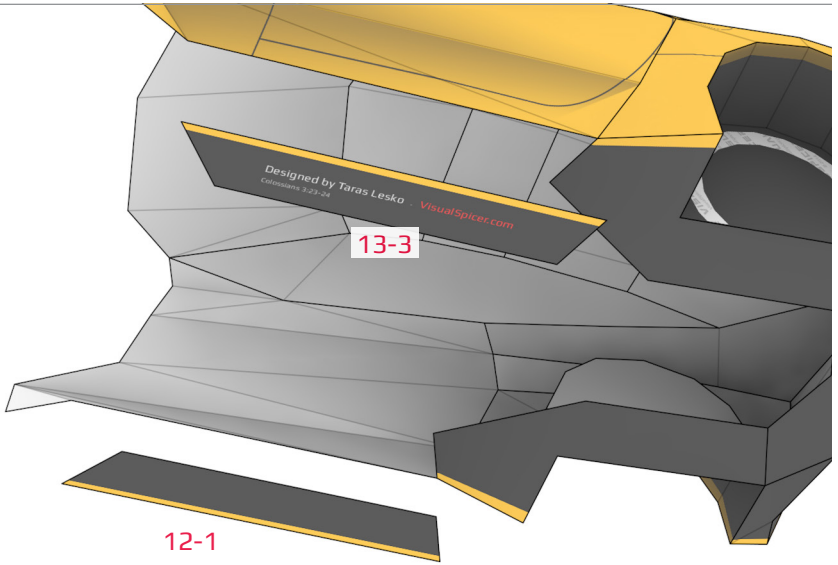


10

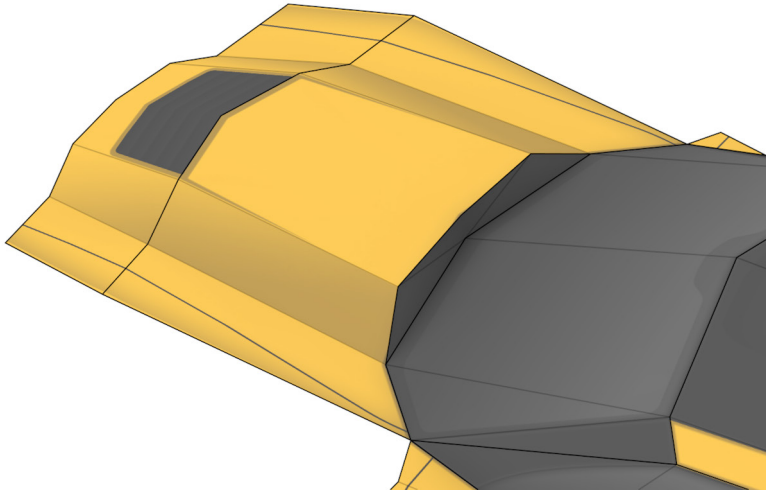
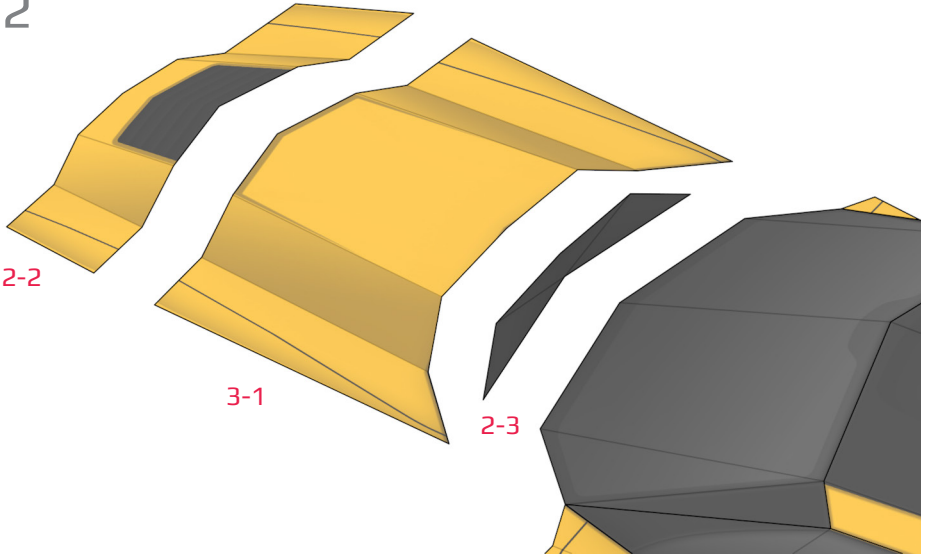
4-1



11



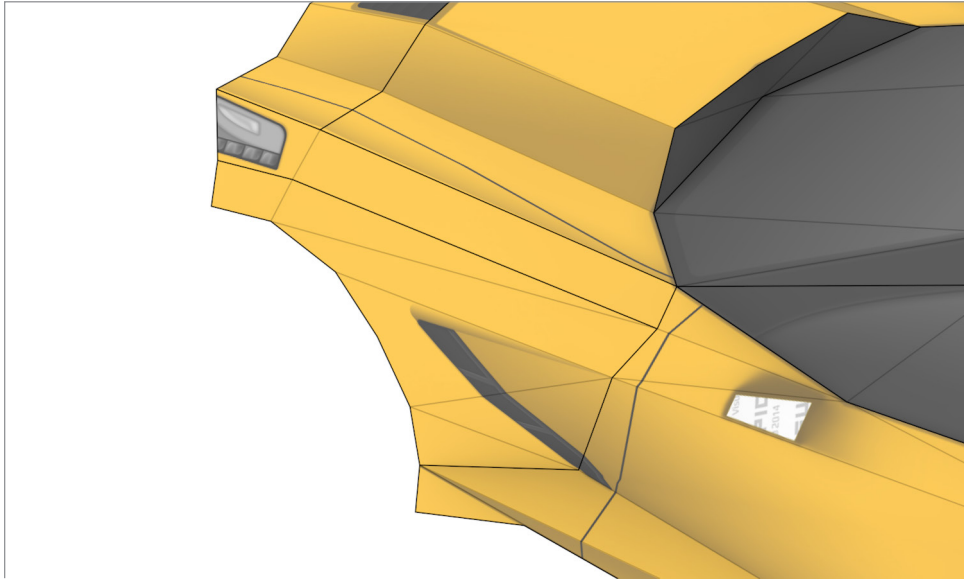
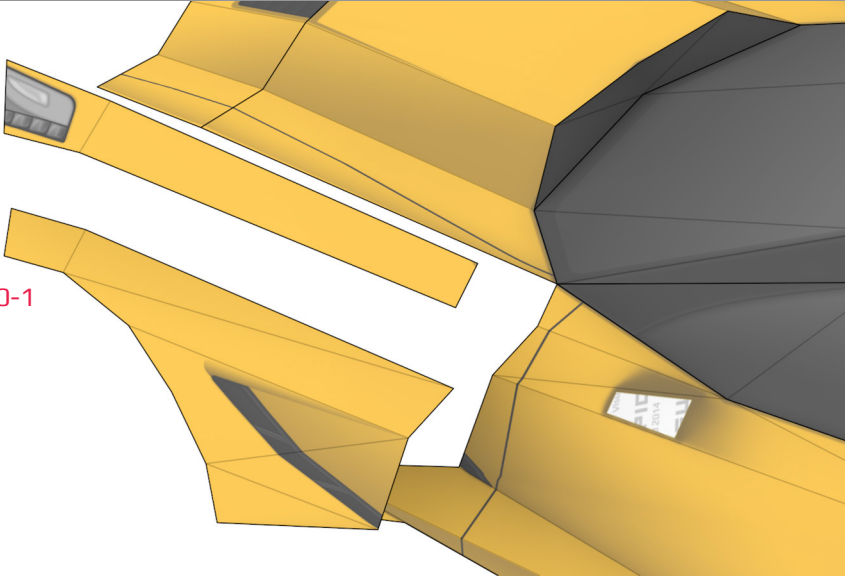
12



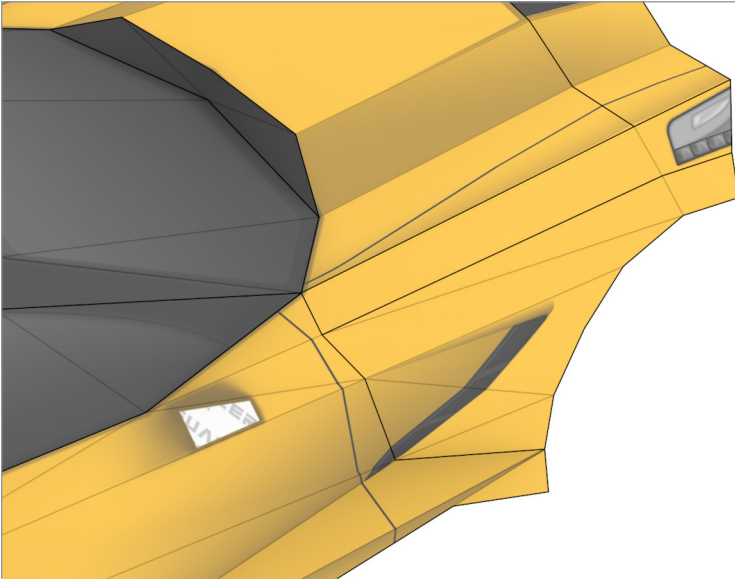
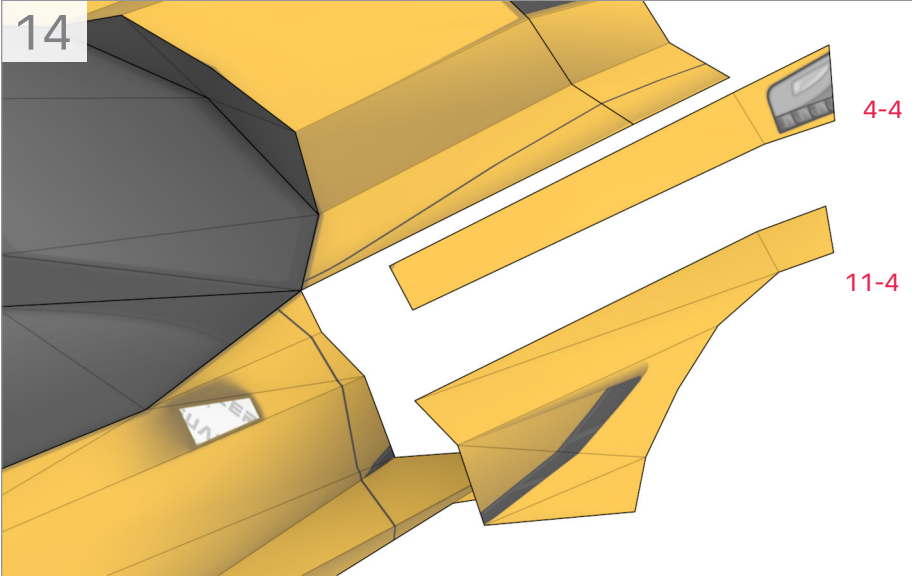
13

3-2

10-1



14



15

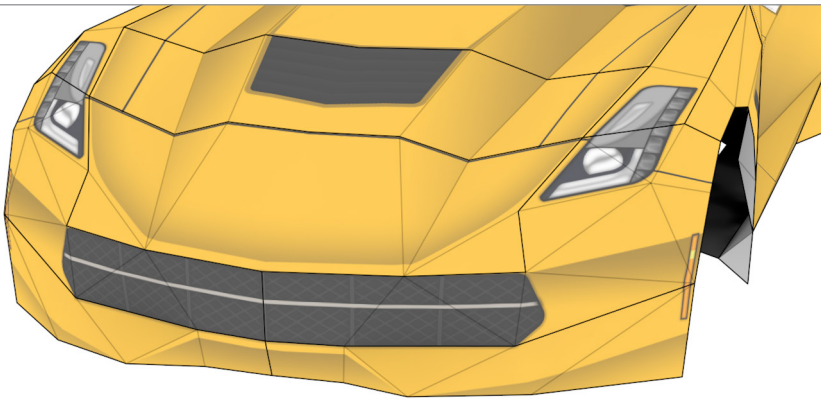
1-5

2-1

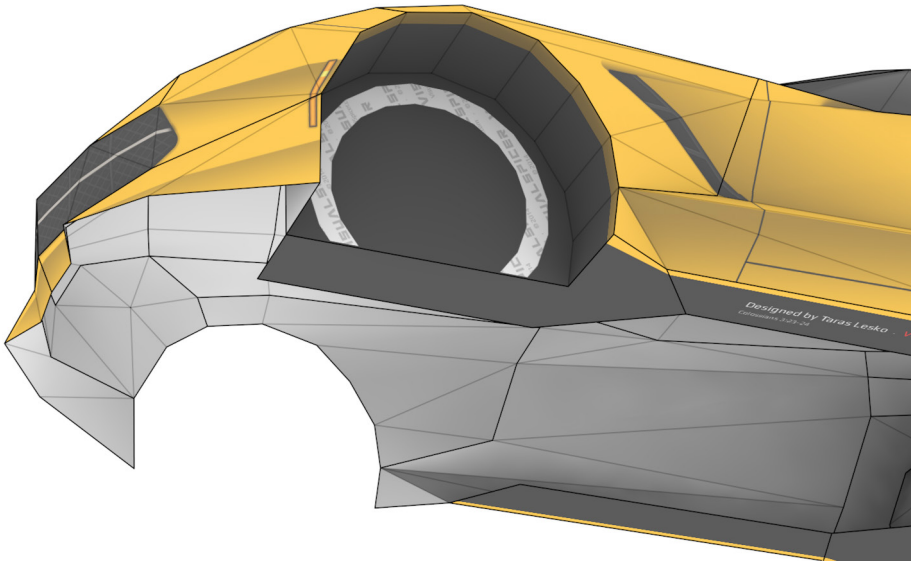
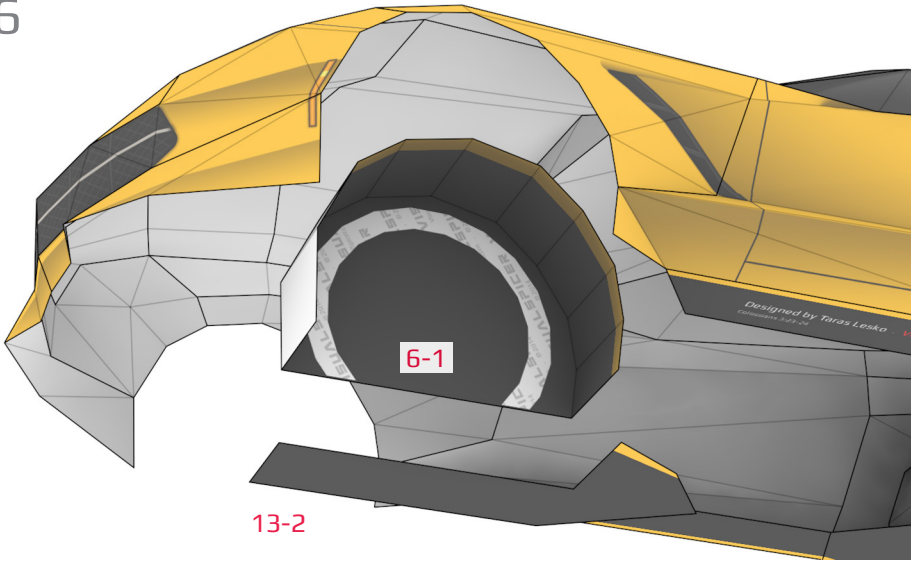
7-1

1-2

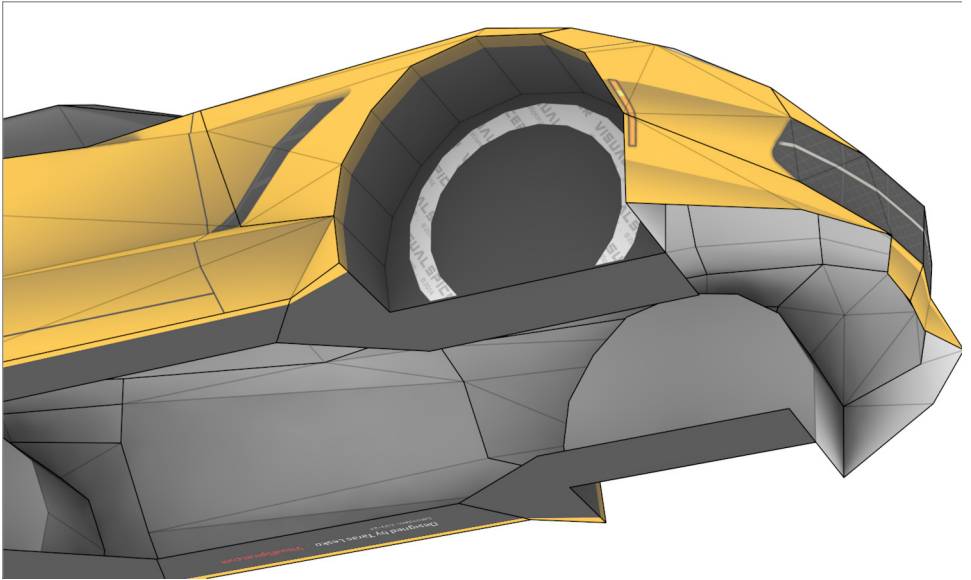
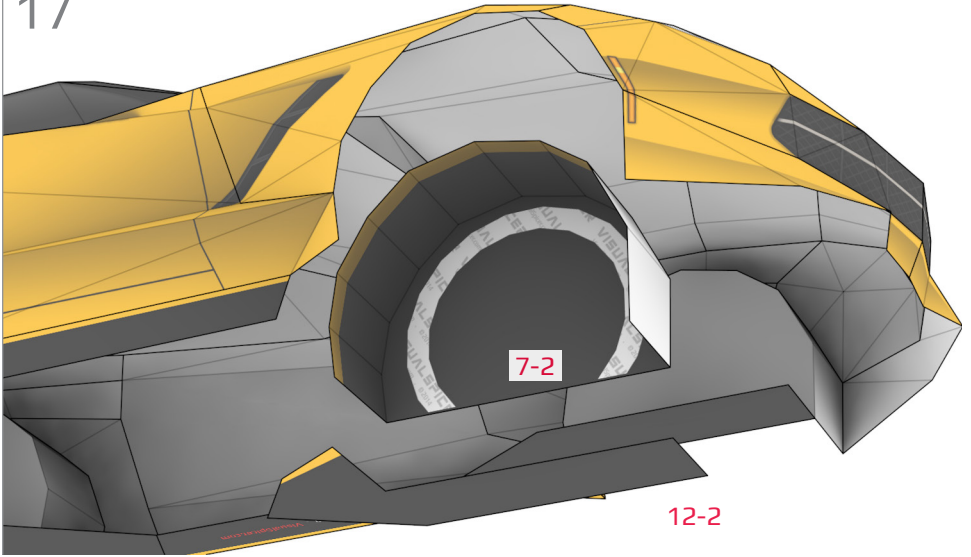
3-3



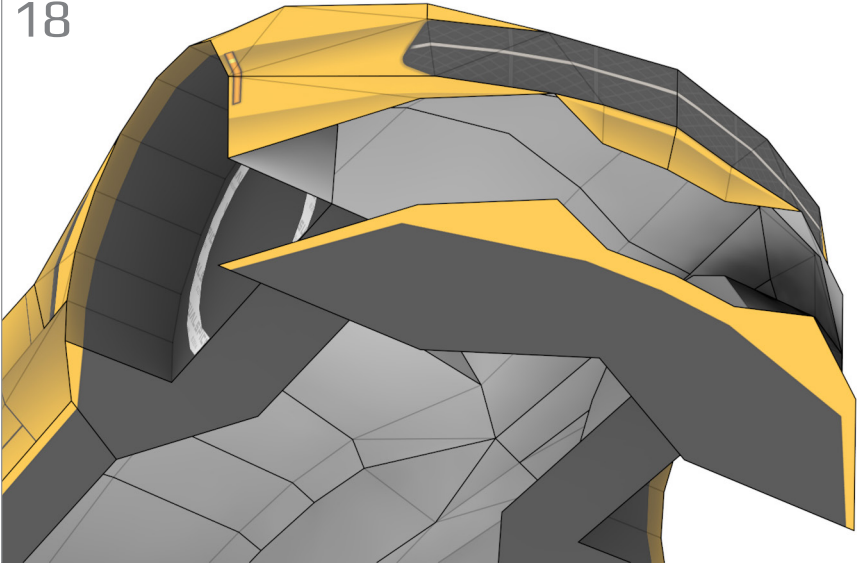
16



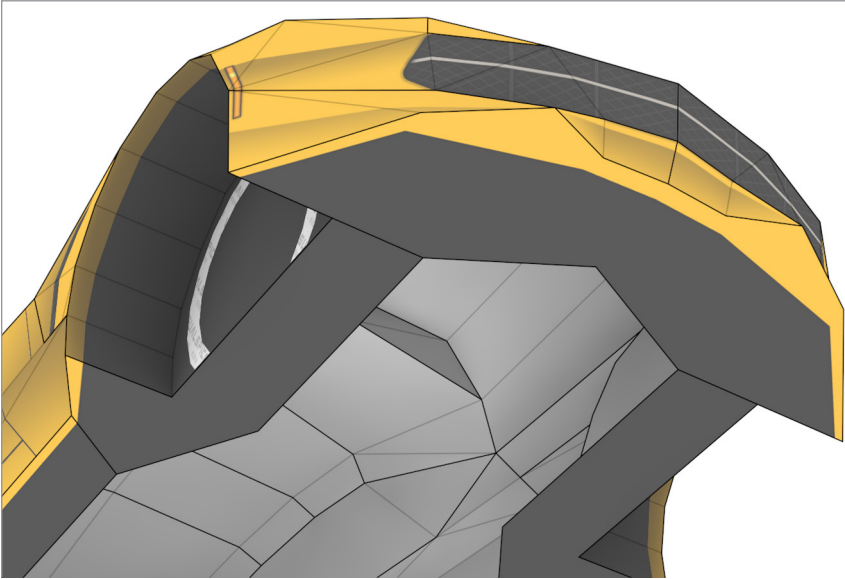
17



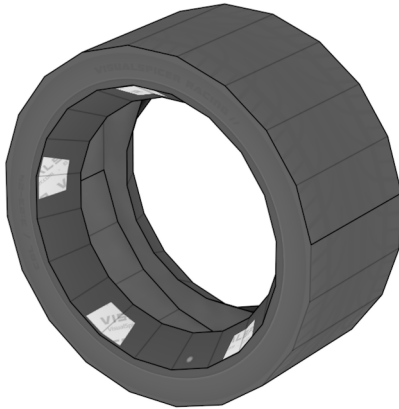
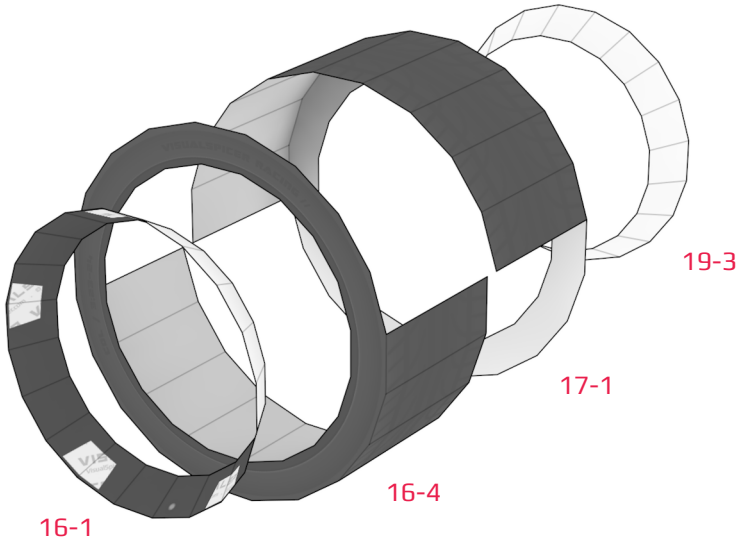
18



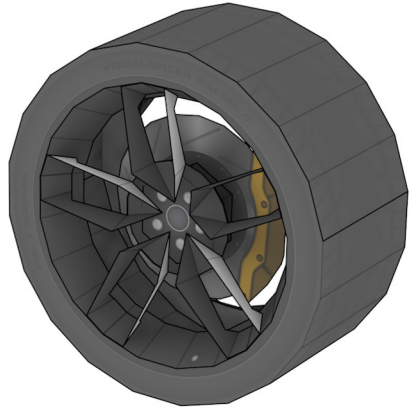
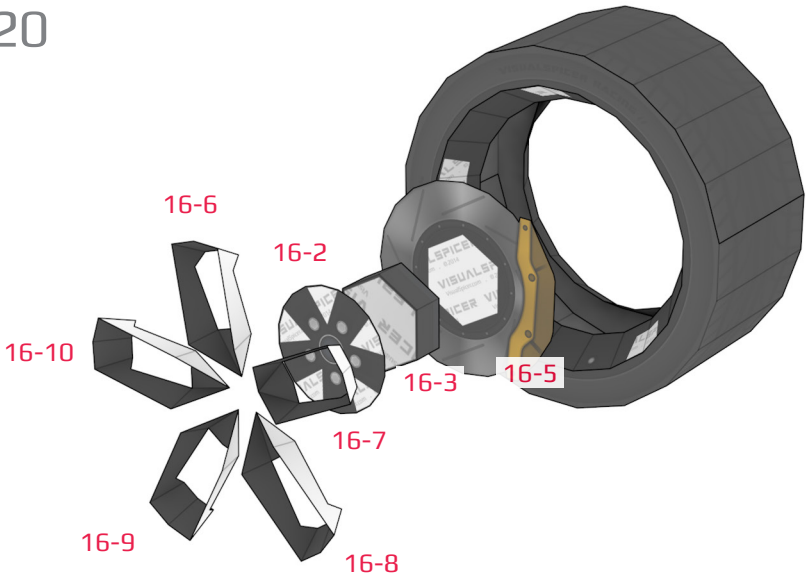
14-2



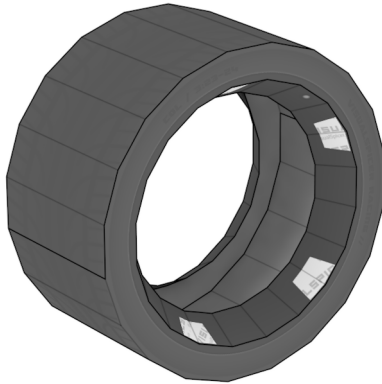
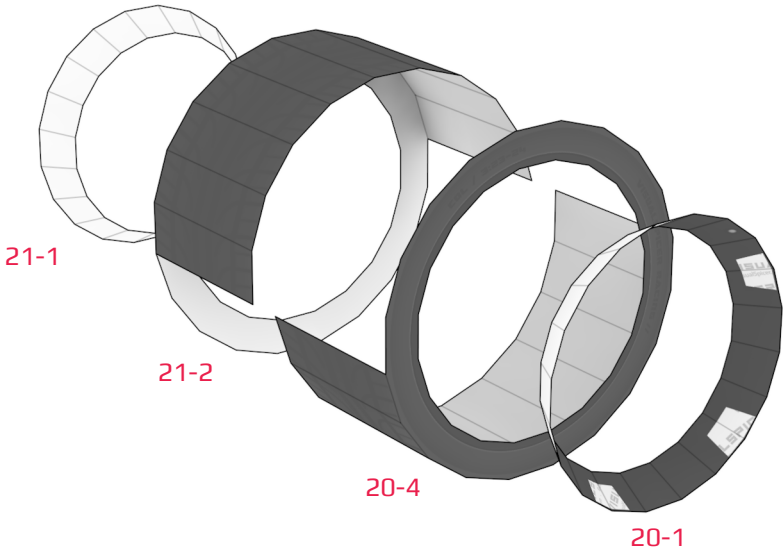
19



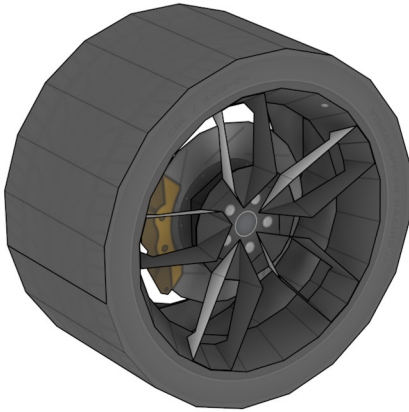
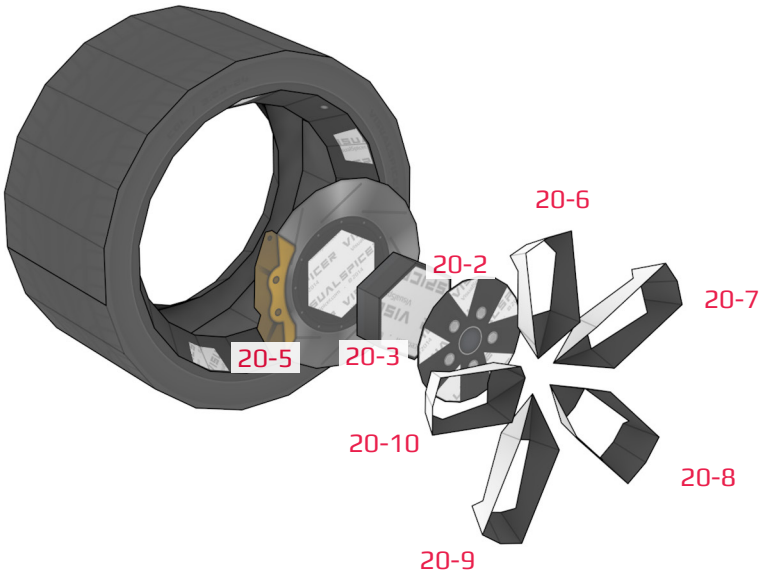
20



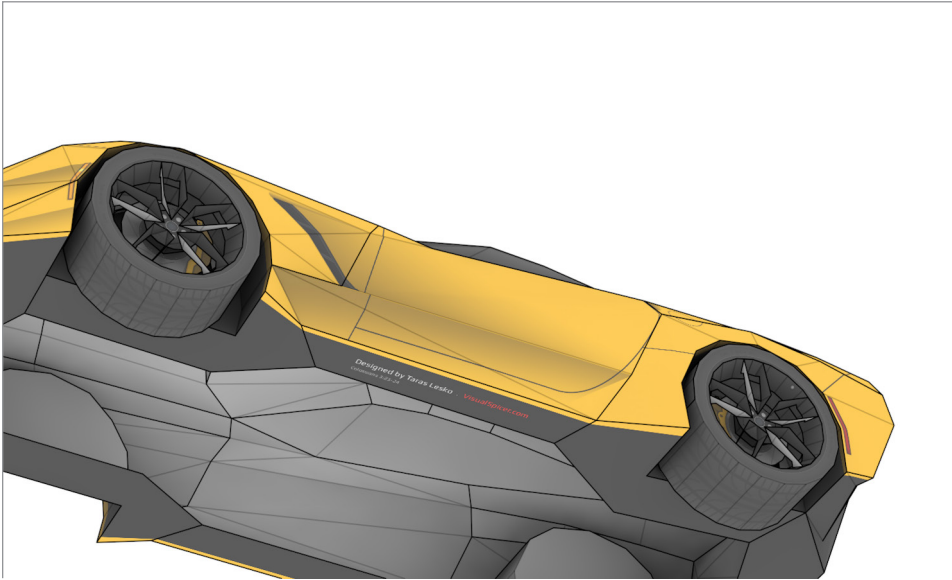
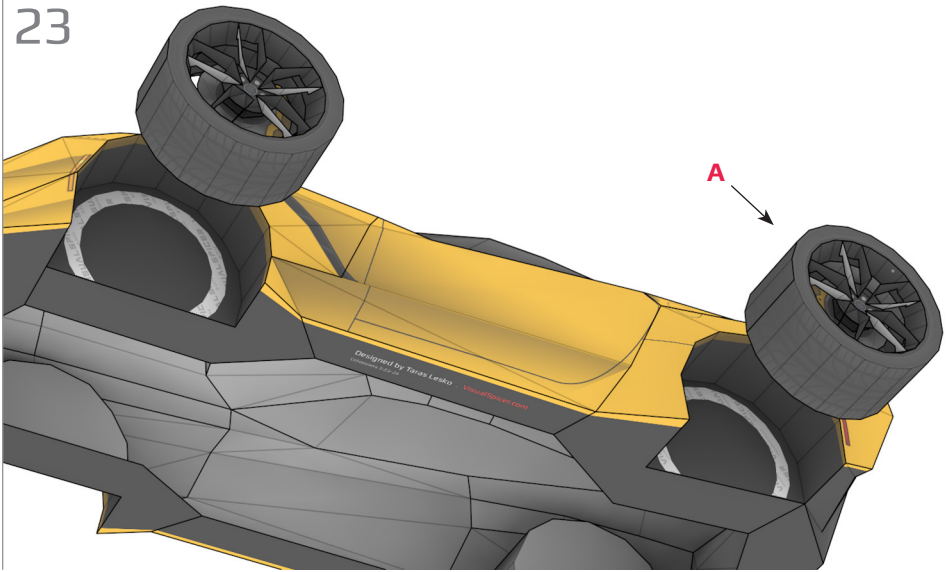
21



22

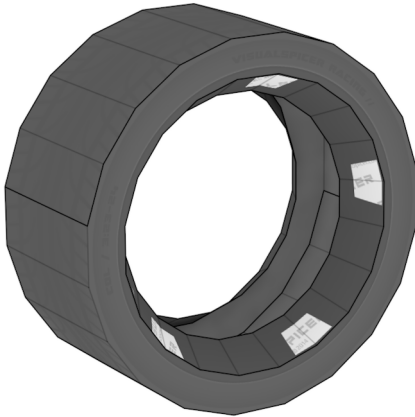
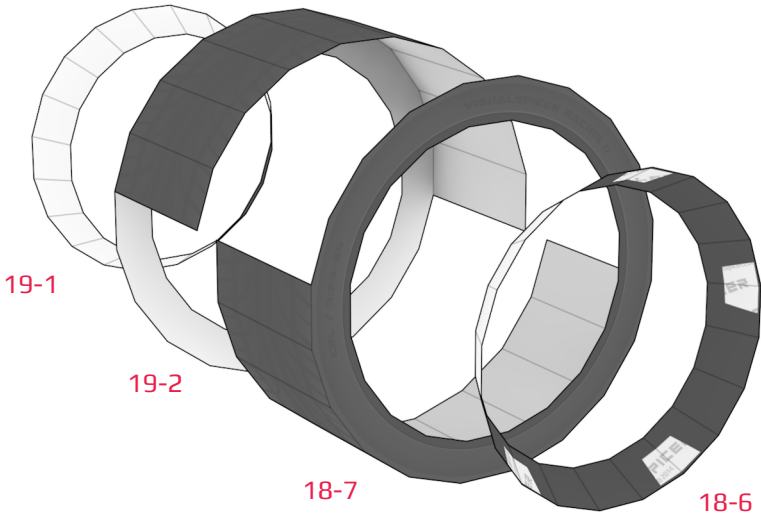


23

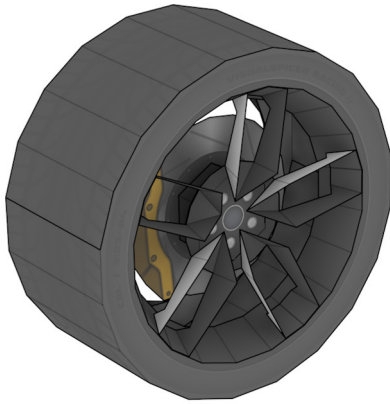
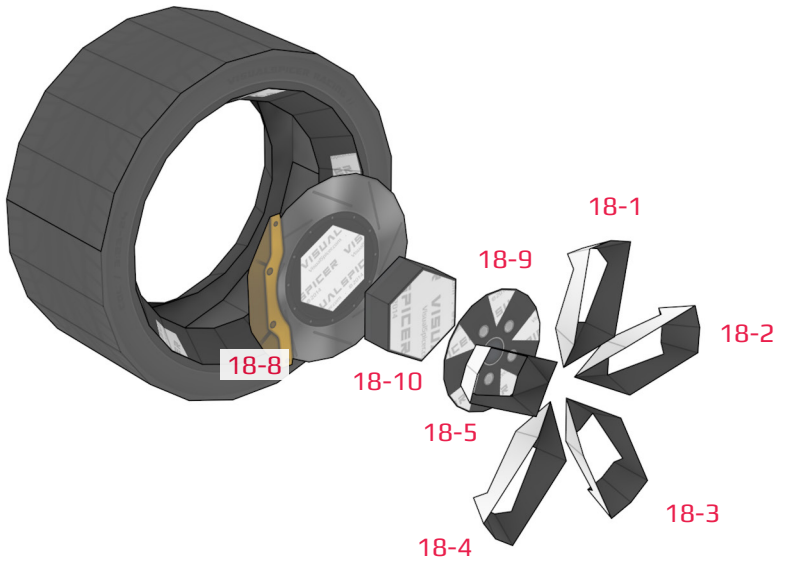


A: Mount wider wheel in rear.

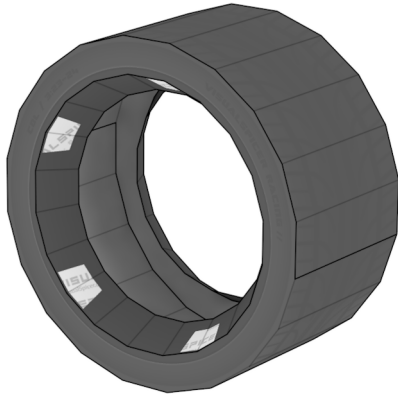
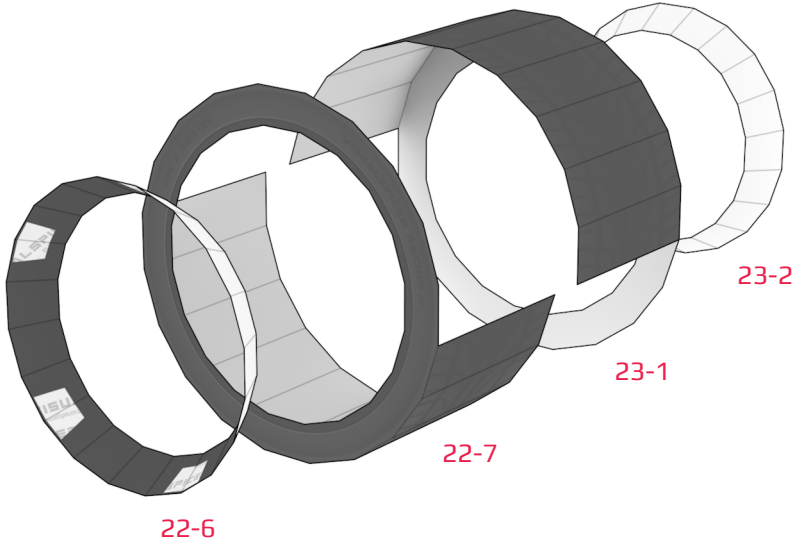
24



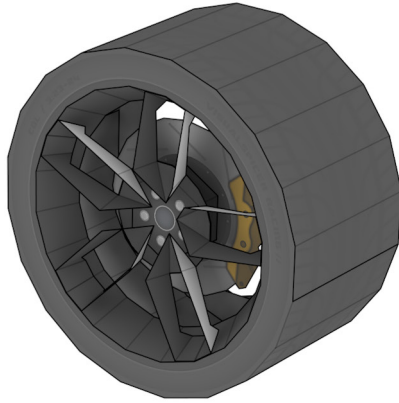
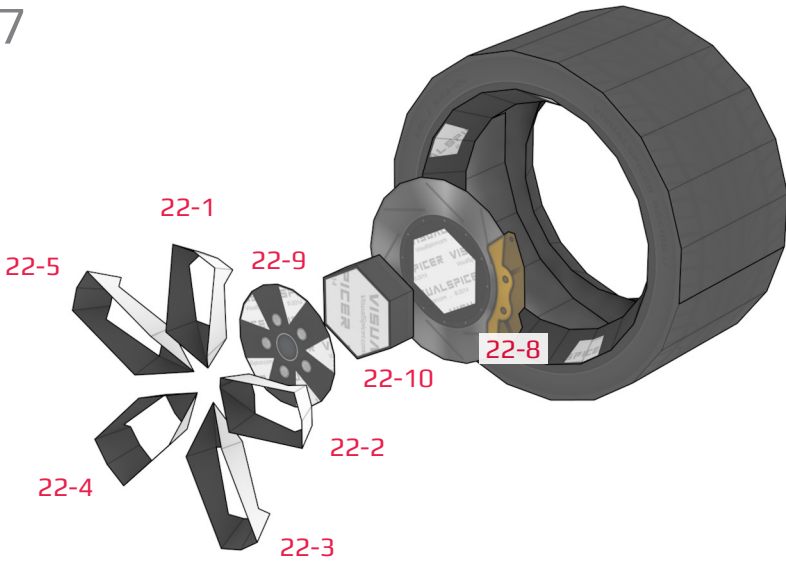
25



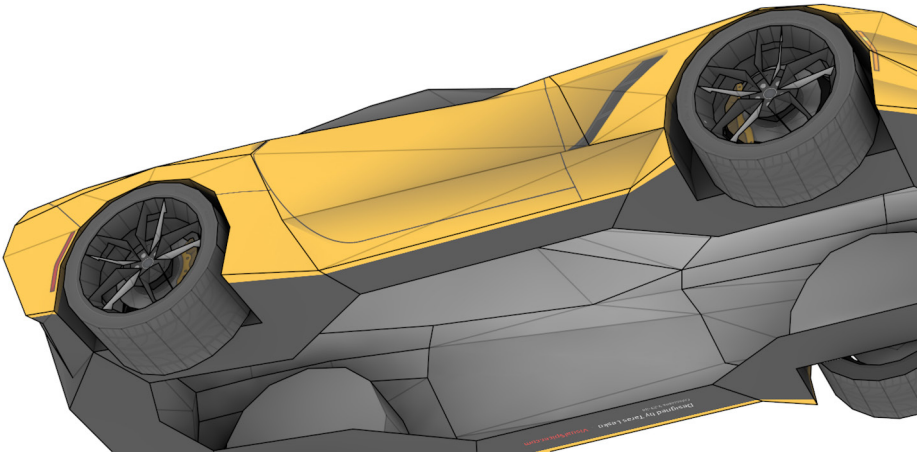
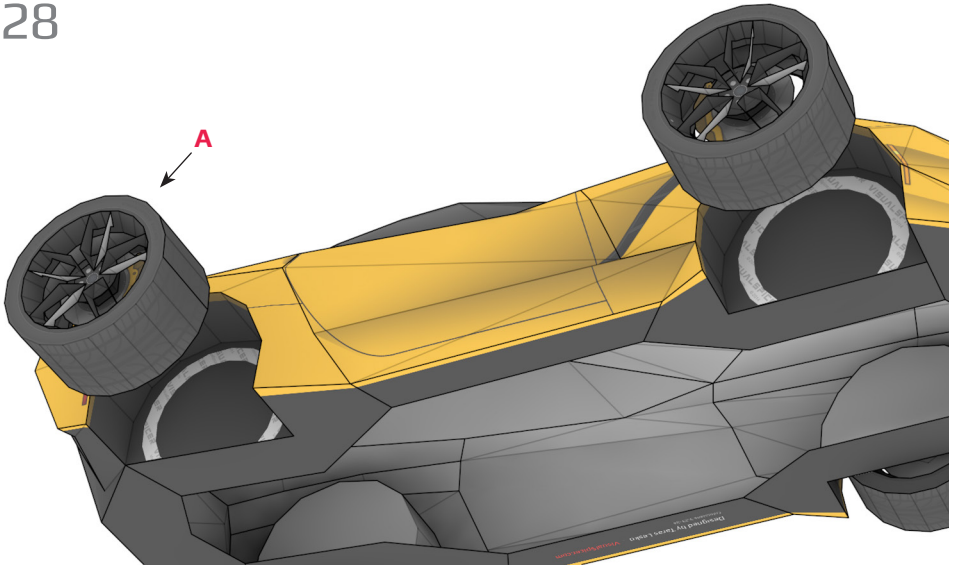
26



27

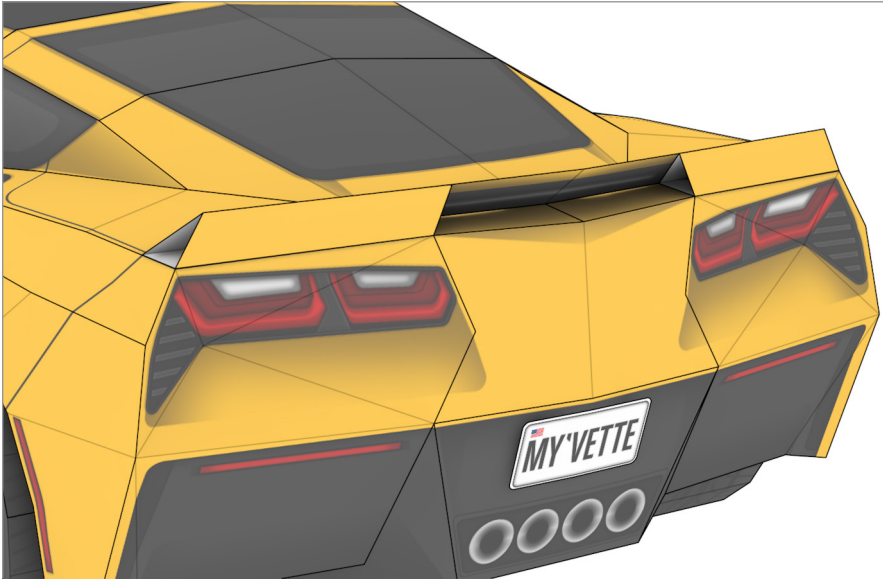
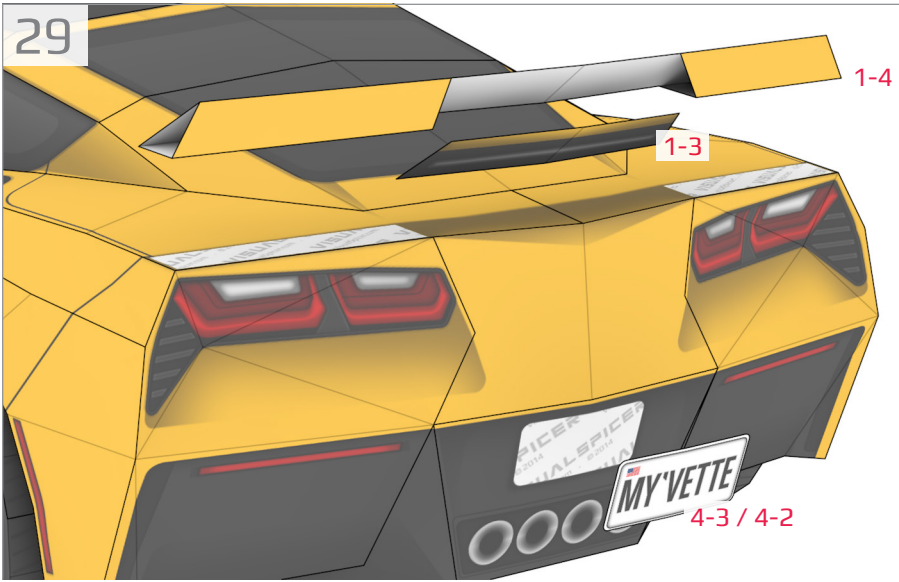


28

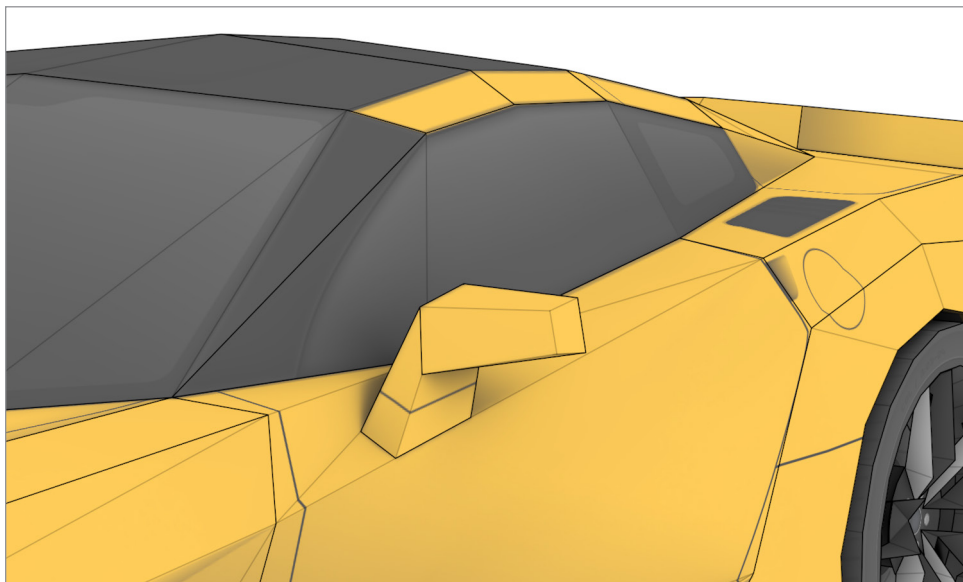
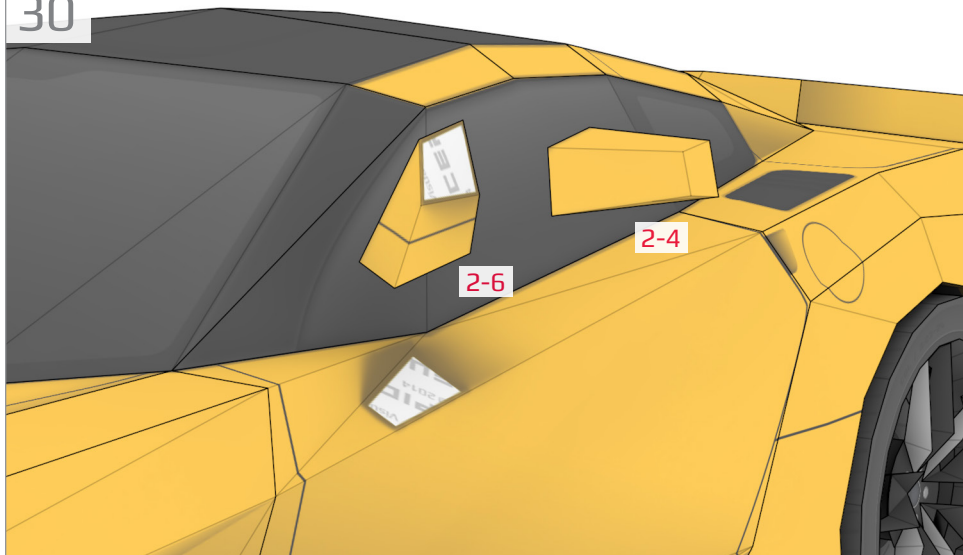


A: Mount wider wheel in rear.

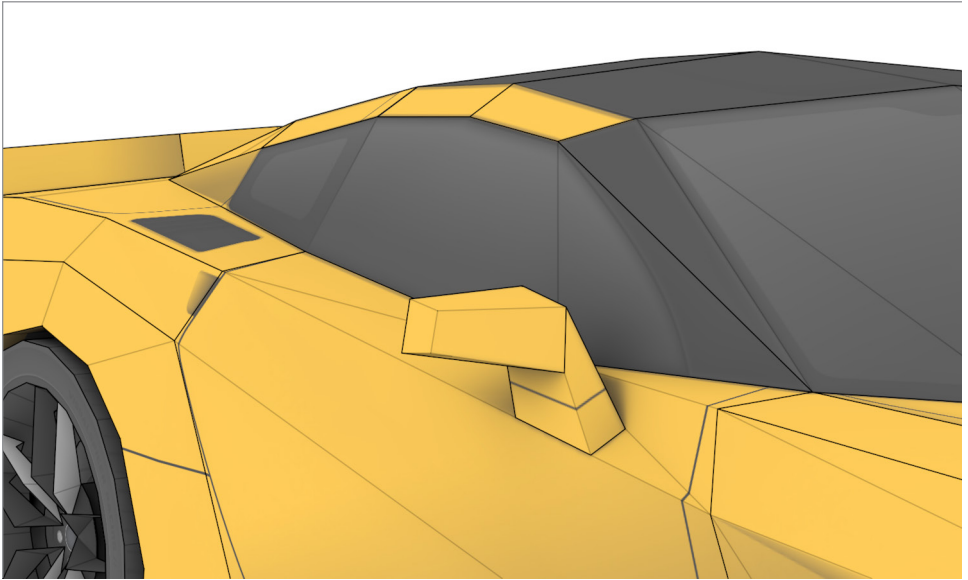
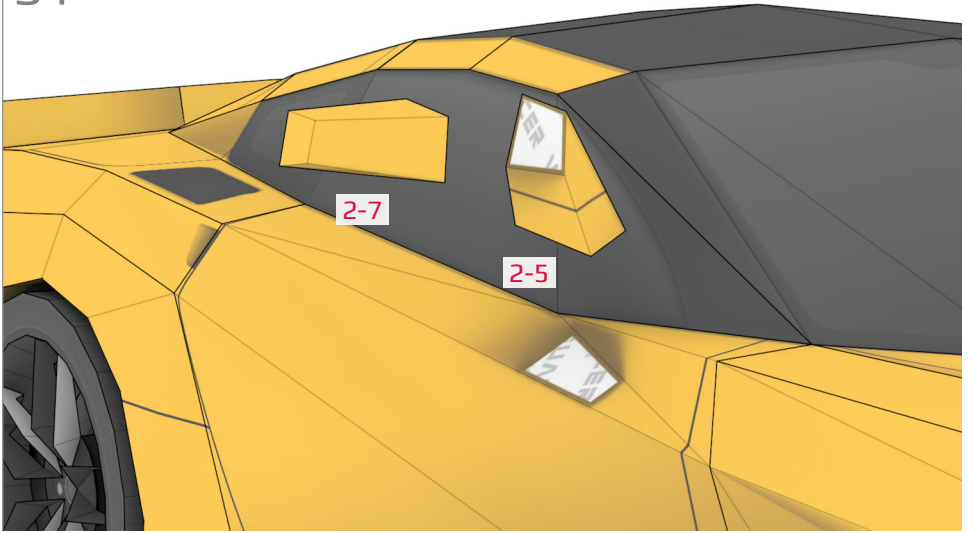
29



30



31



THANK YOU

Visit visualspicer.com to view more of my creative work. Send questions, suggestions or comments to mail@visualspicer.com.

