

**MCLAREN P1**  
PAPER-SUPER-CRAFT

“Lush”



Designed by Taras Lesko  
[visualspicer.com](http://visualspicer.com)

## Recommended Tools

- Cardstock paper
- Craft glue
- X-Acto knife
- Scissors

## Miscellaneous

- Glue only one part at a time.
- Glue only two or three tabs at a time.
- Experiment, enjoy and have fun!


## Templates

Cut line



Mountain fold line 



Valley fold line 

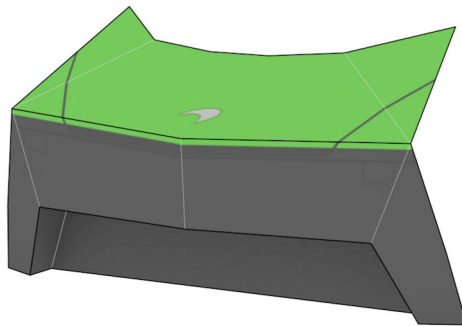
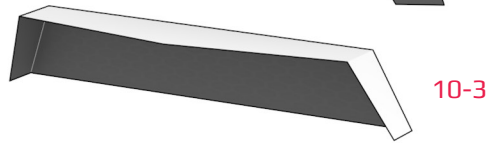
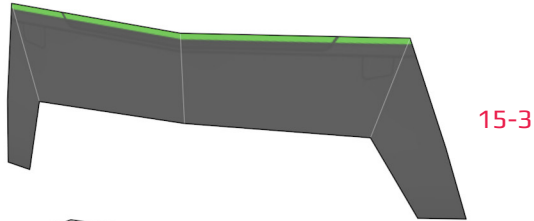
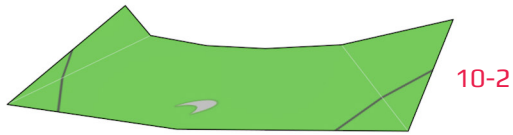


## More Info

View more details about this project at

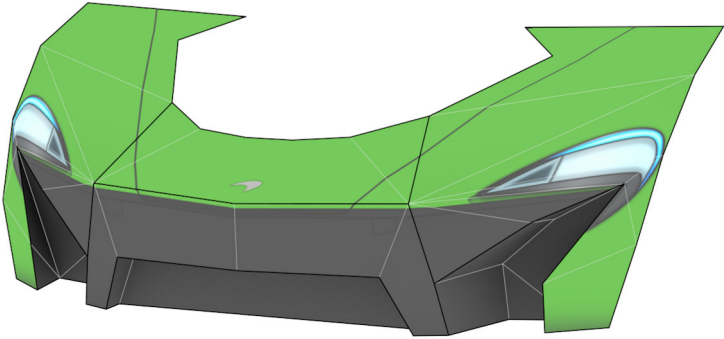
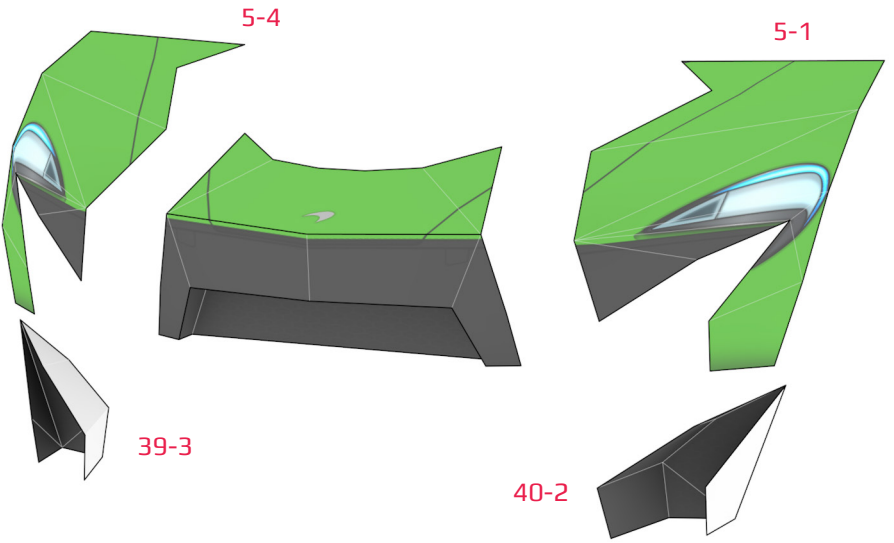
[bit.ly/PaperMcLarenP1](http://bit.ly/PaperMcLarenP1)

1

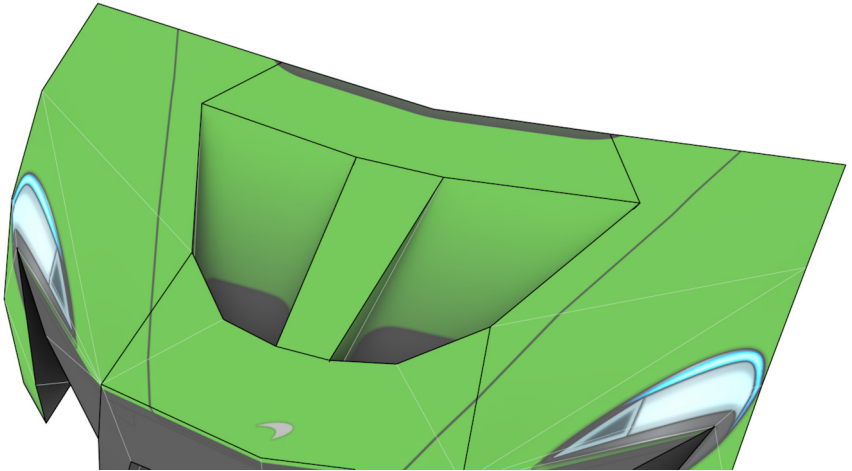
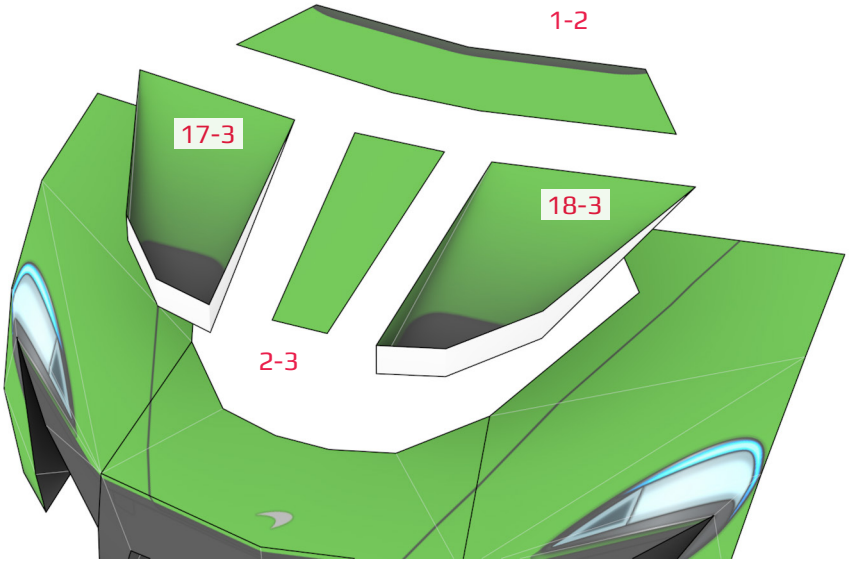


Find parts for each step by referencing Templates page number then part number. For example, 1-2 is Templates page 1, part 2.

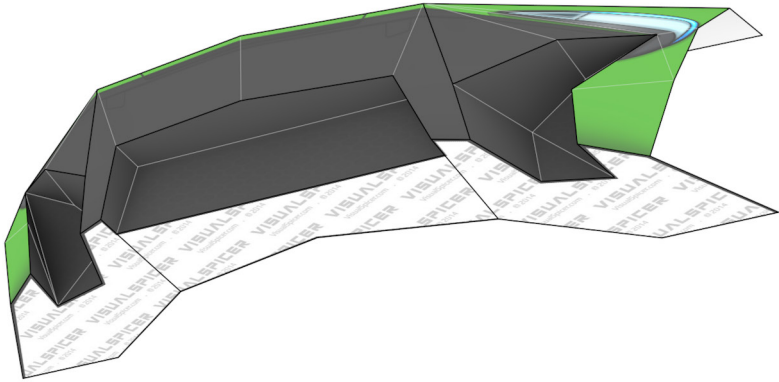
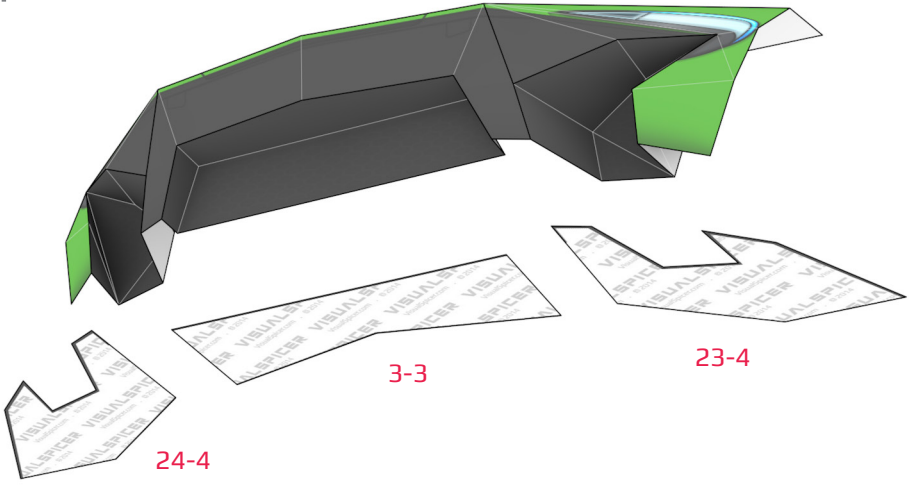
2



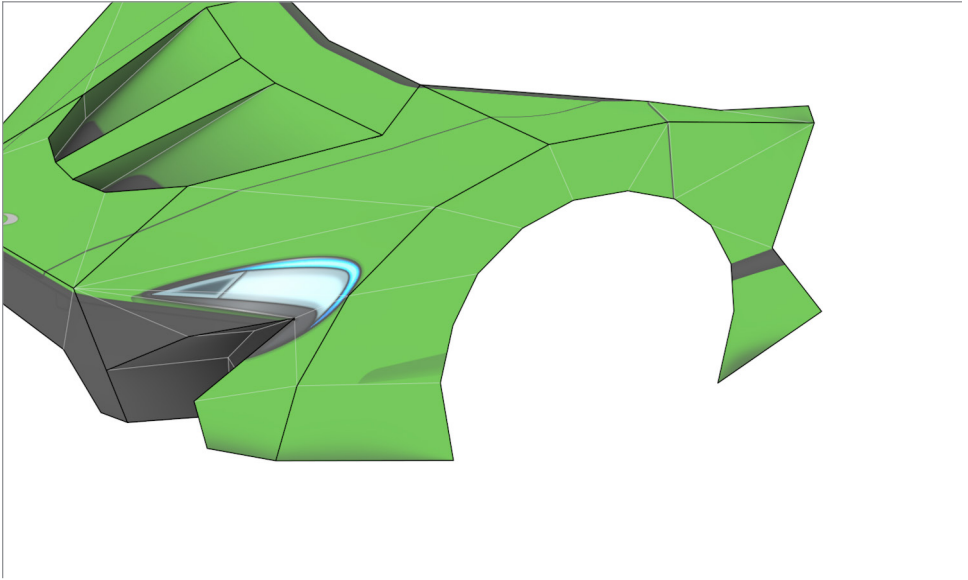
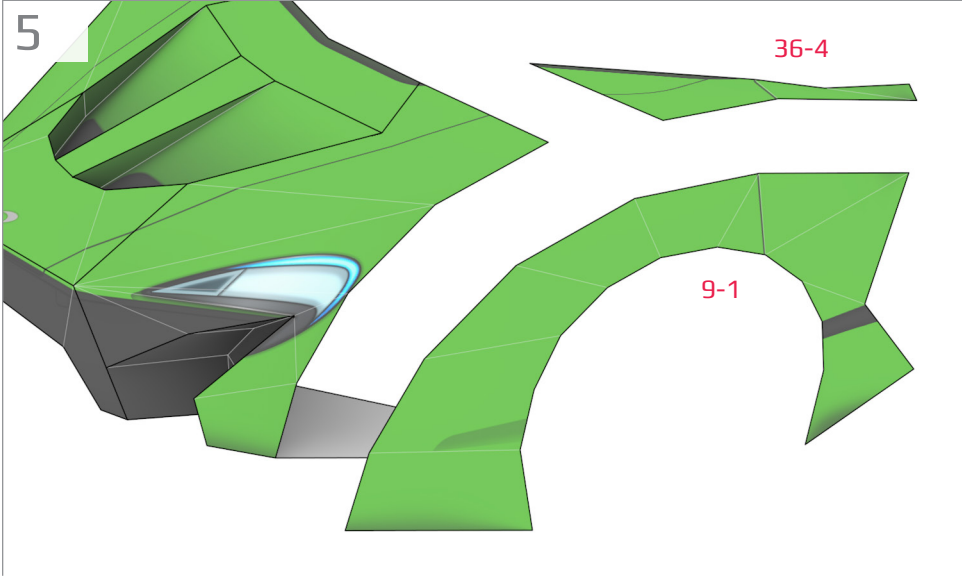
3



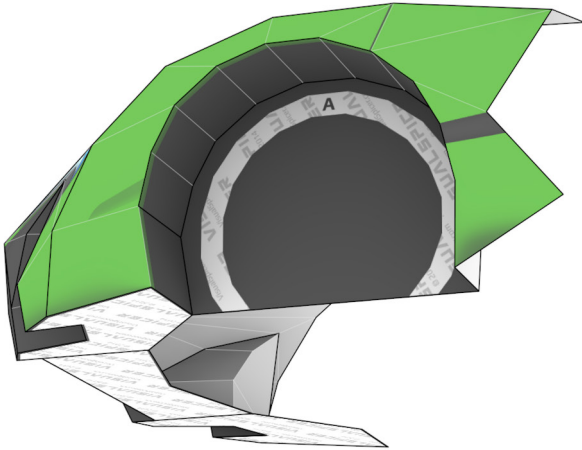
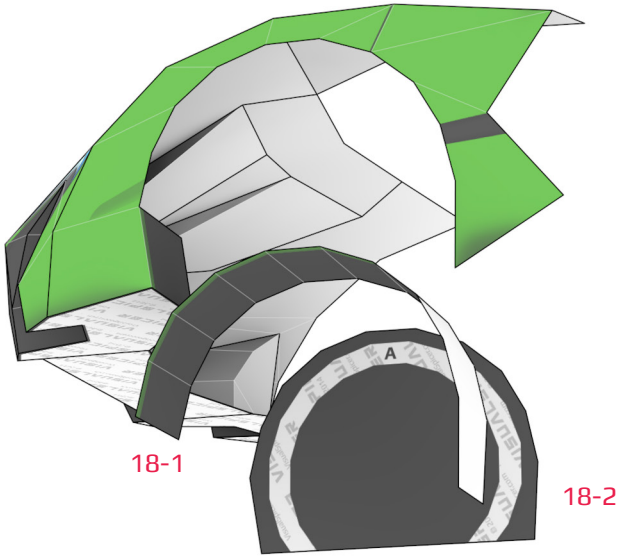
4



5



6

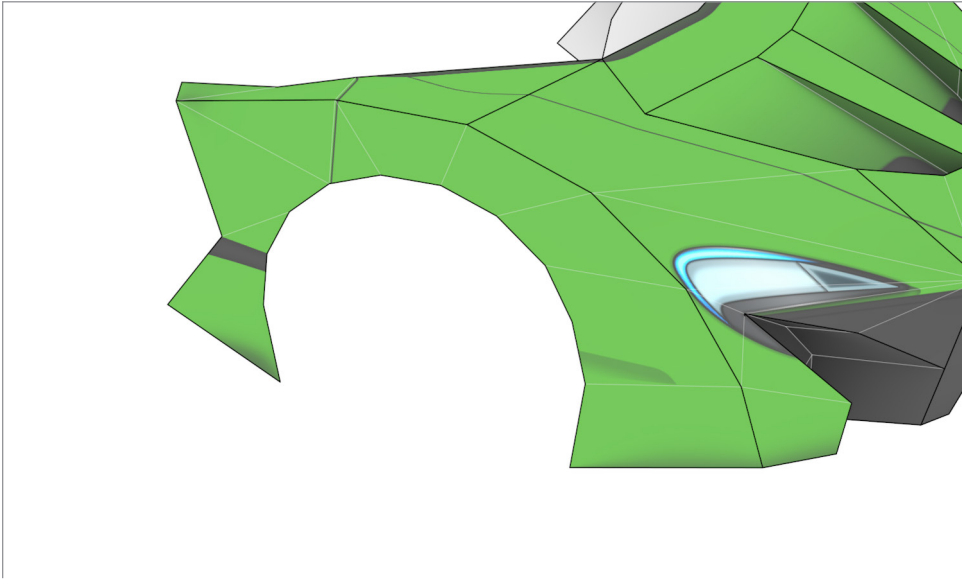
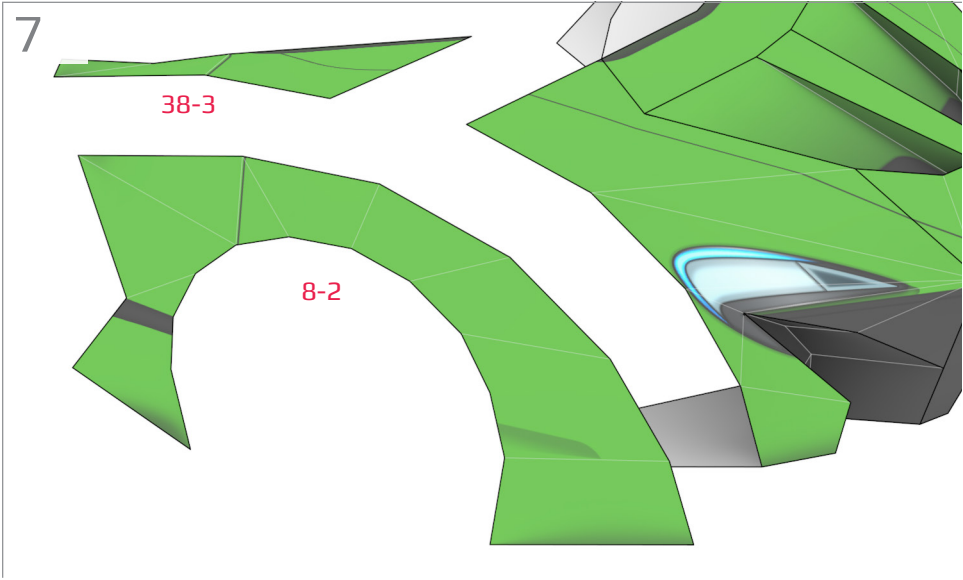




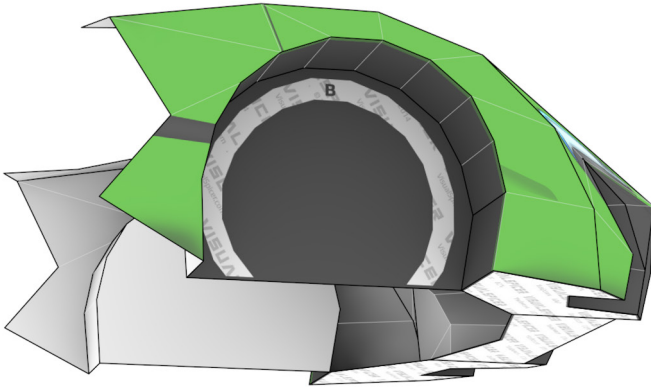
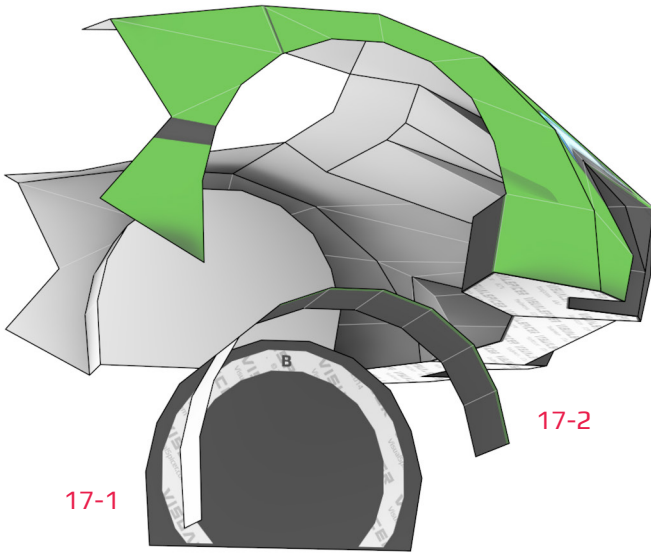
7

38-3

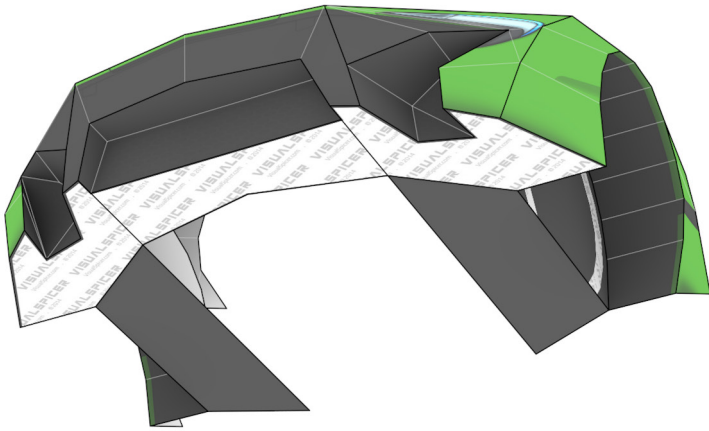
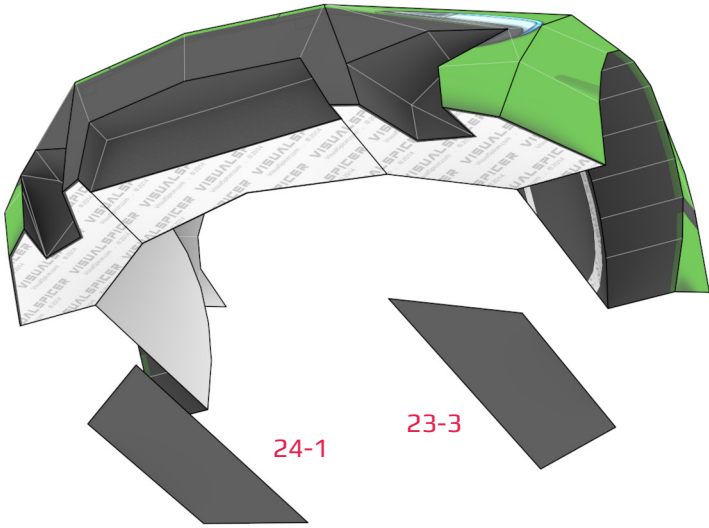
8-2



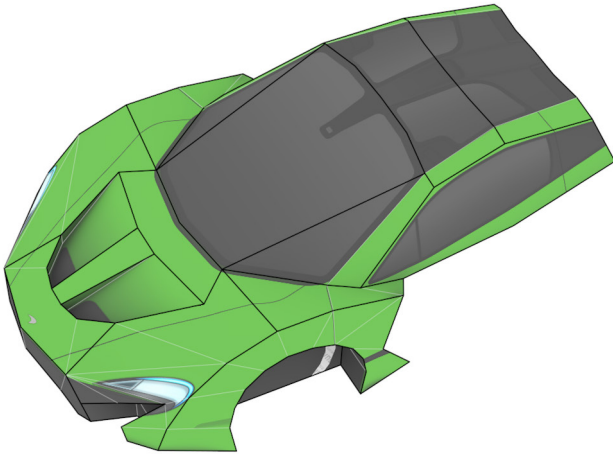
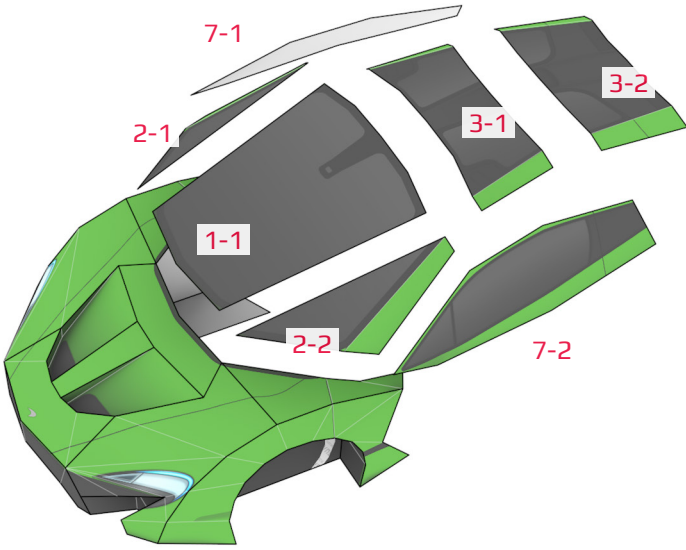
8

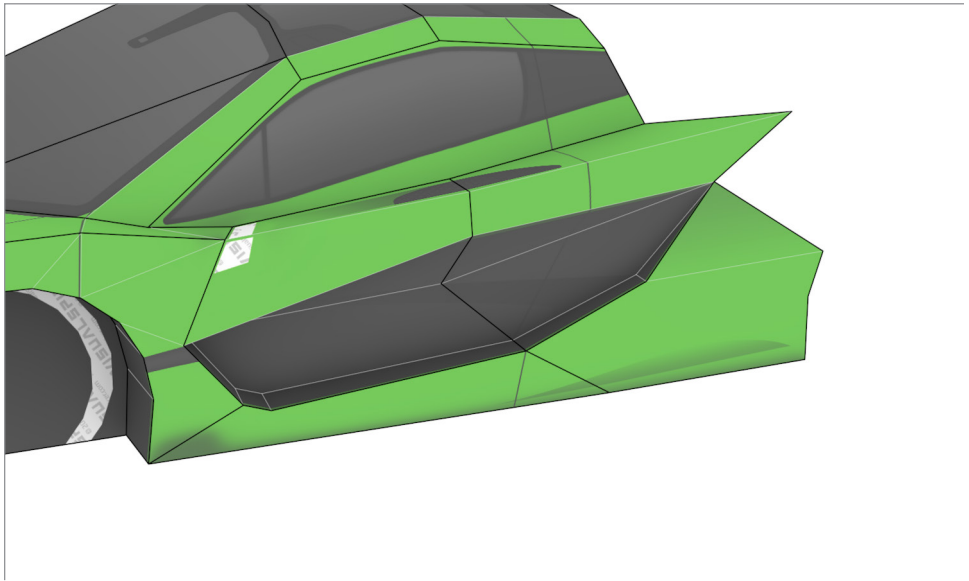
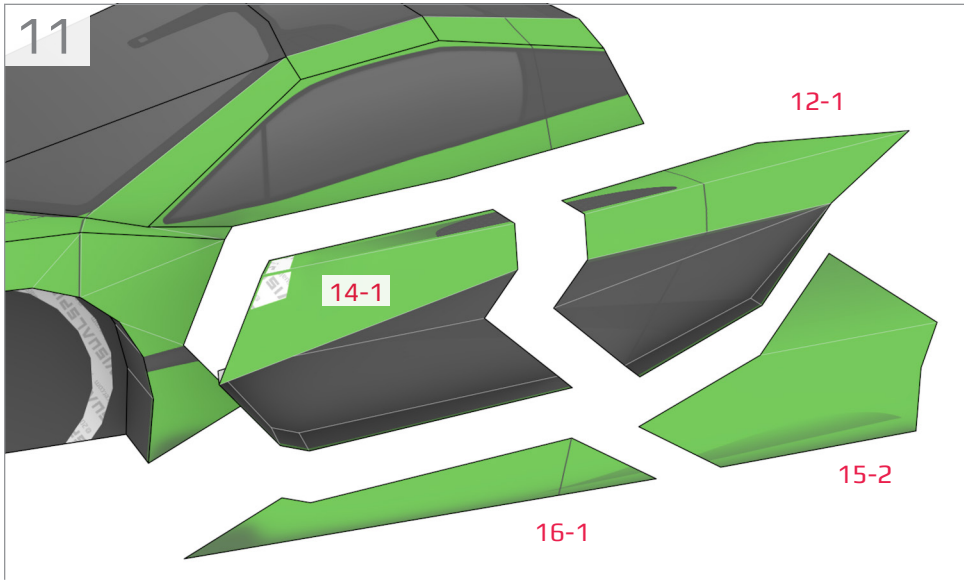


9

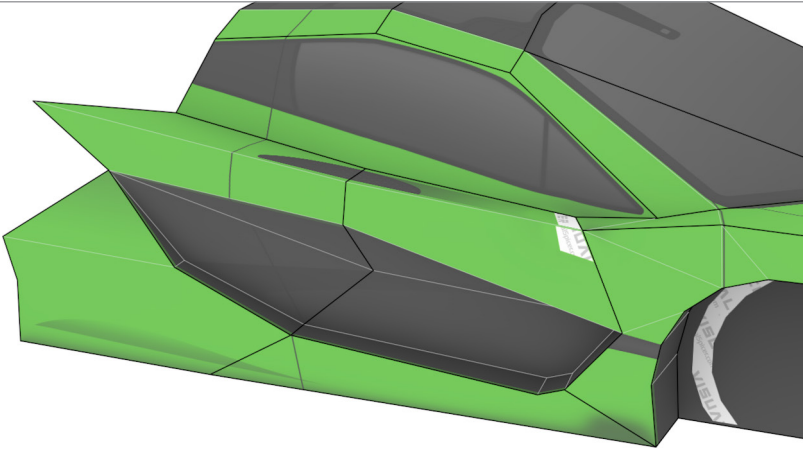
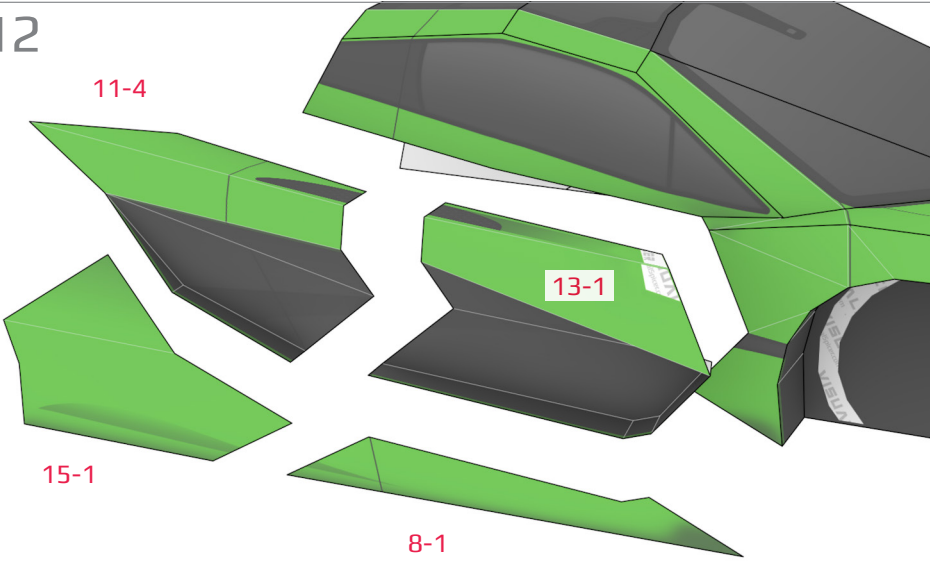


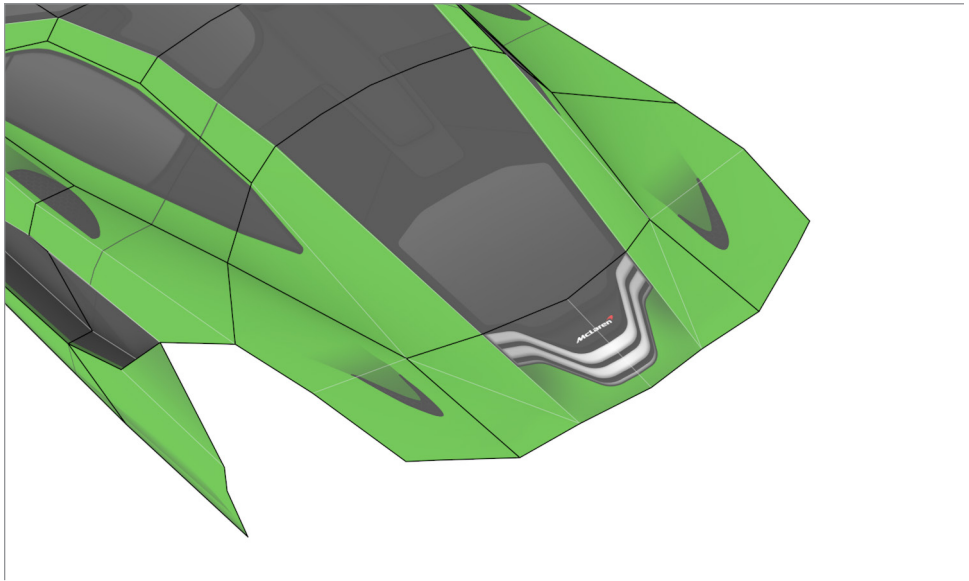
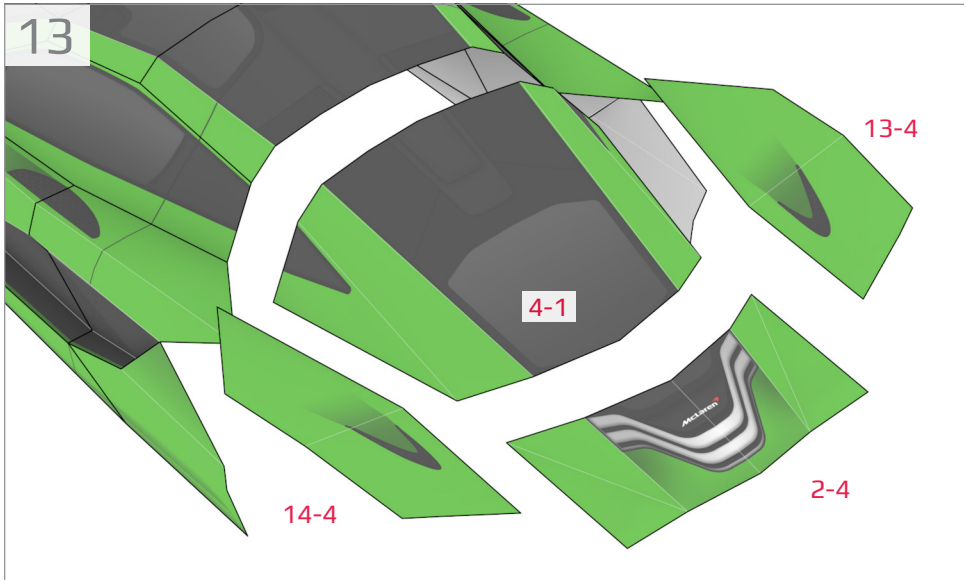
10

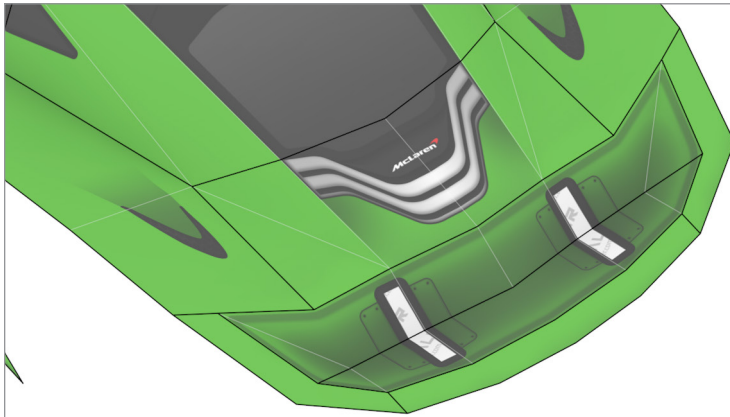
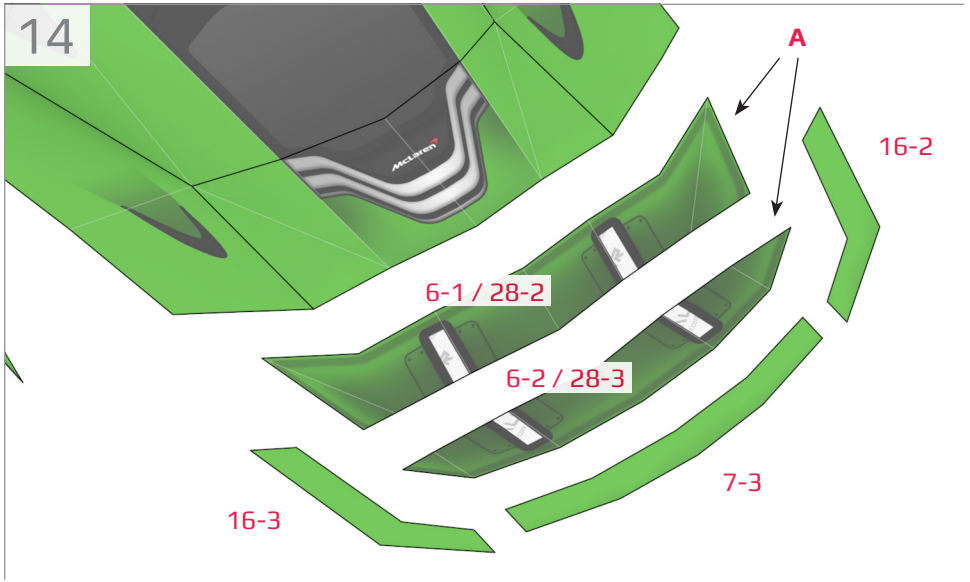




12



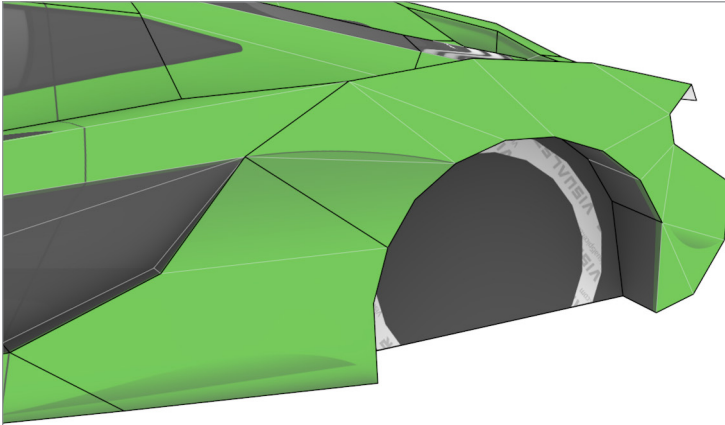
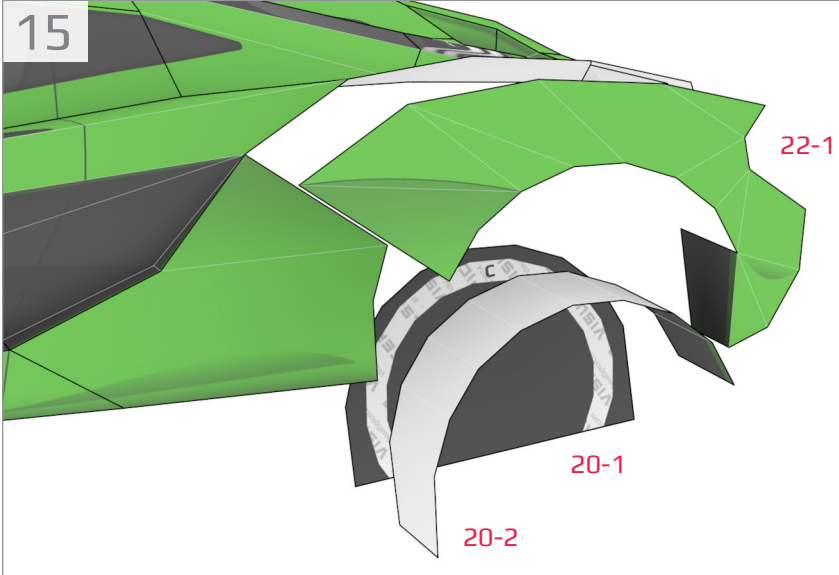




**A:** For spoiler, use parts 6-1 and 6-2, then follow step 39. For no spoiler, use parts 28-2 and 28-3, then skip step 39.



15

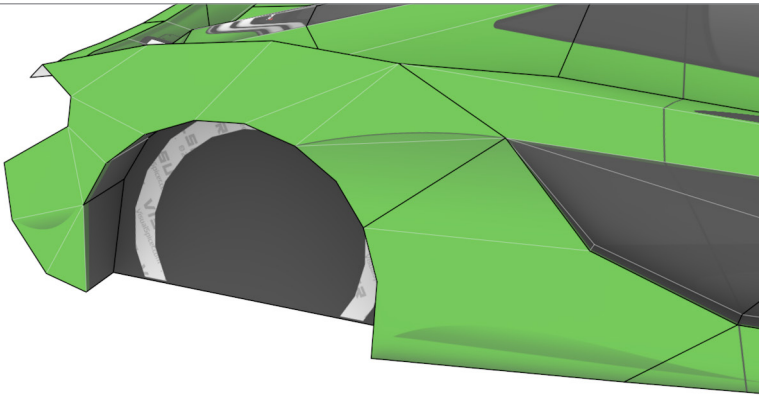
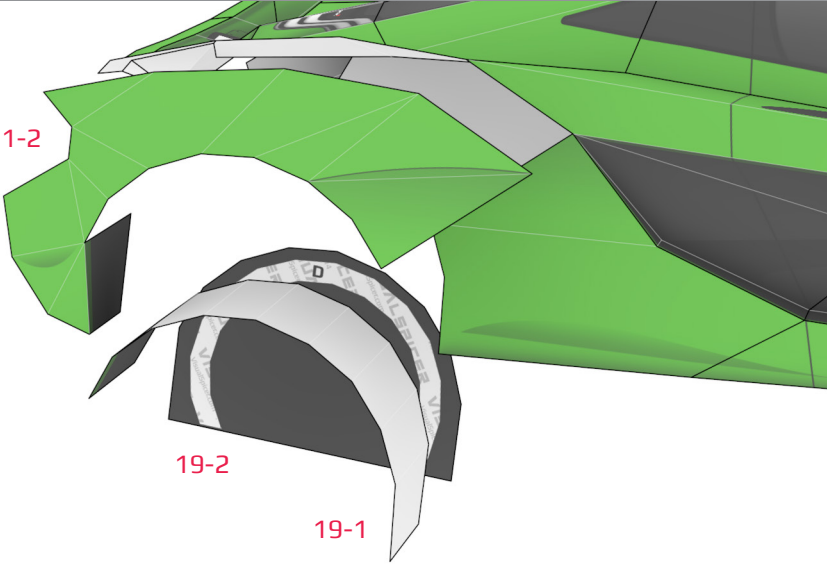


16

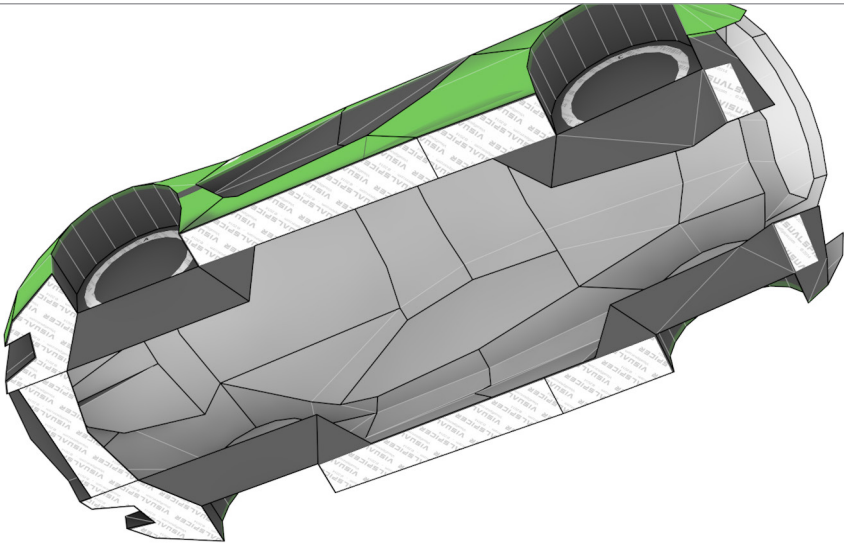
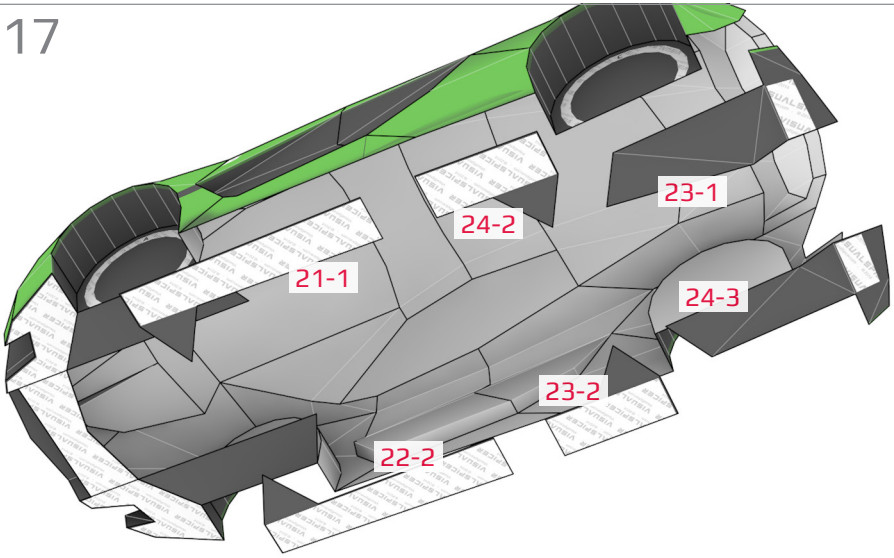
21-2

19-2

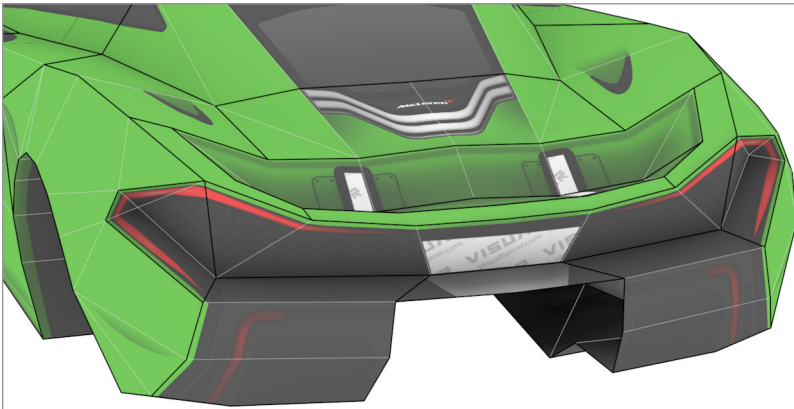
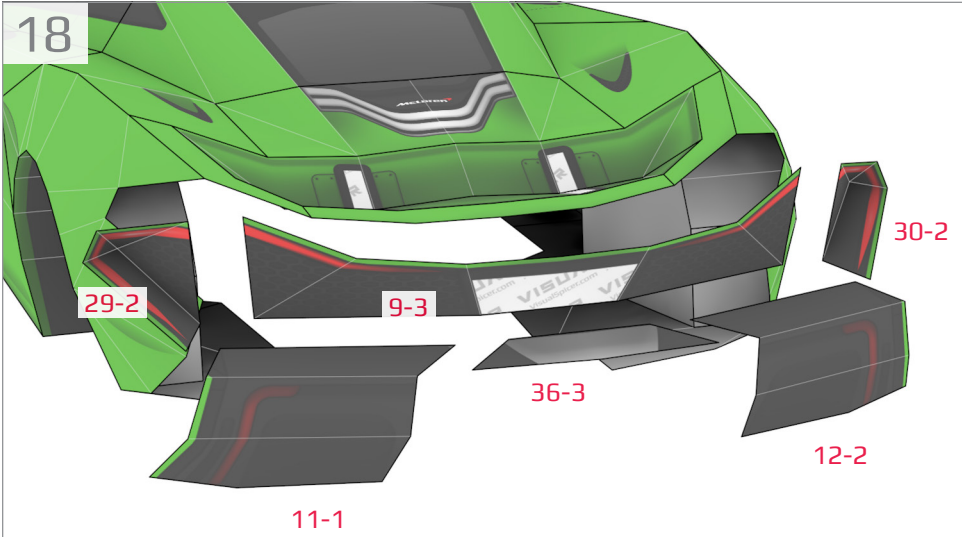
19-1



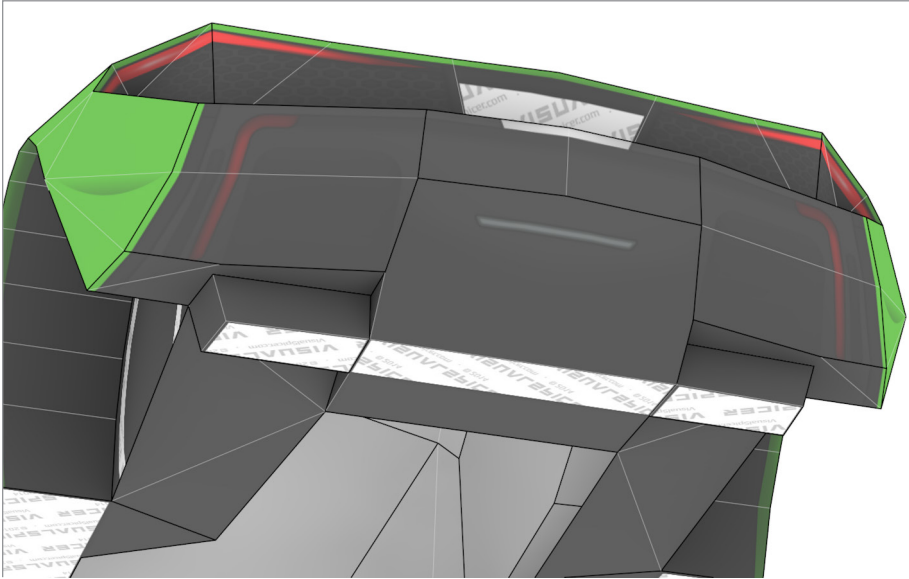
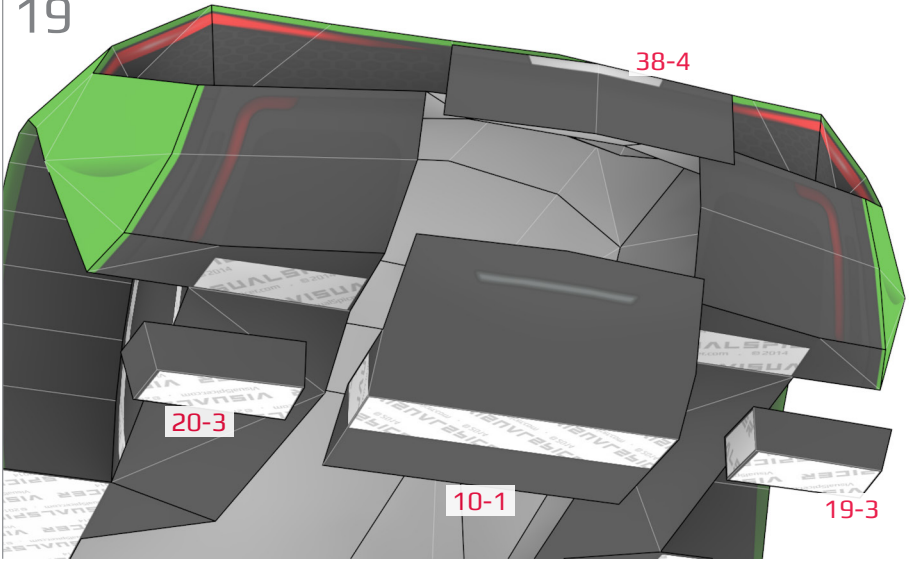
17



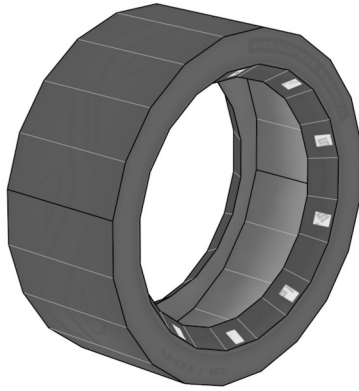
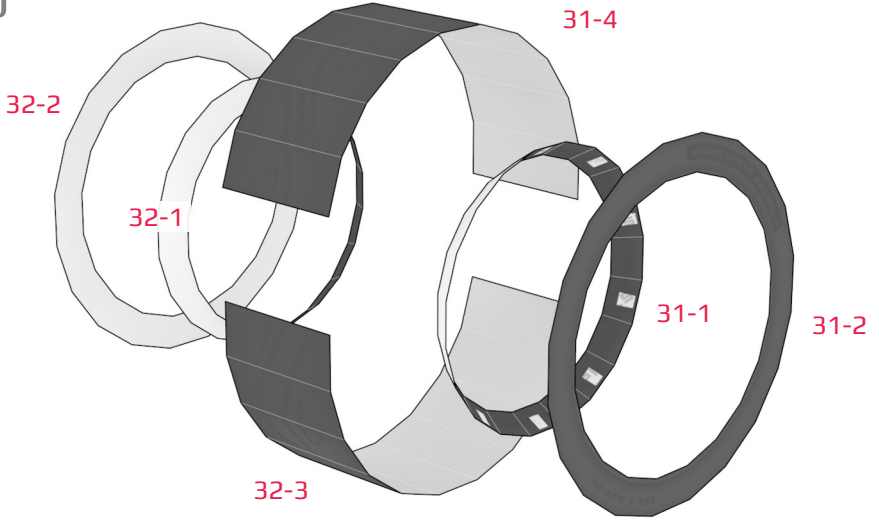
18



19



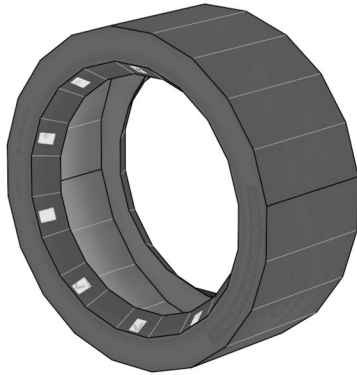
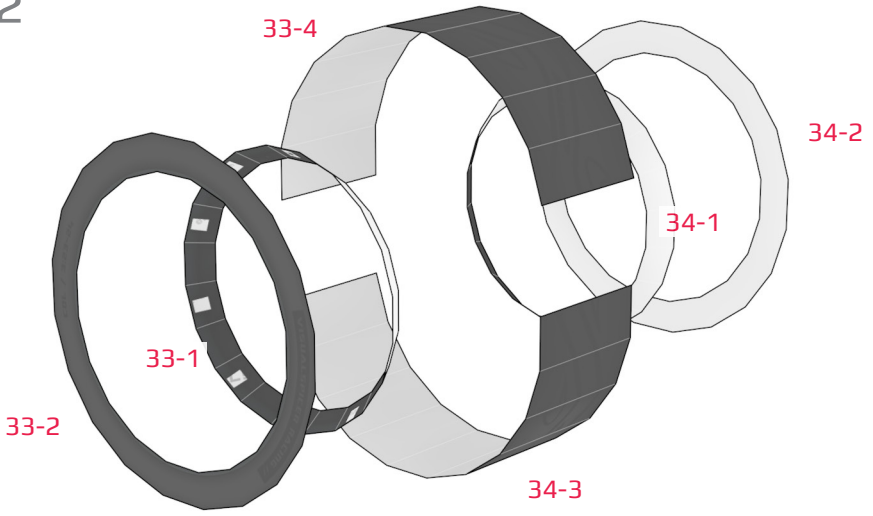
20



21

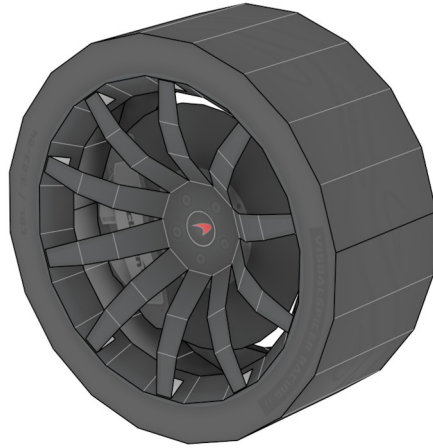


22

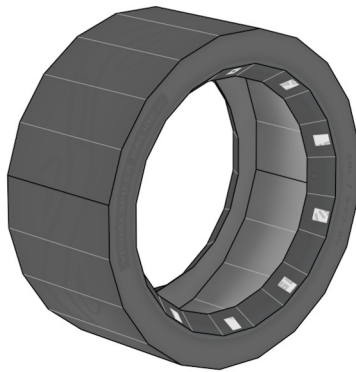
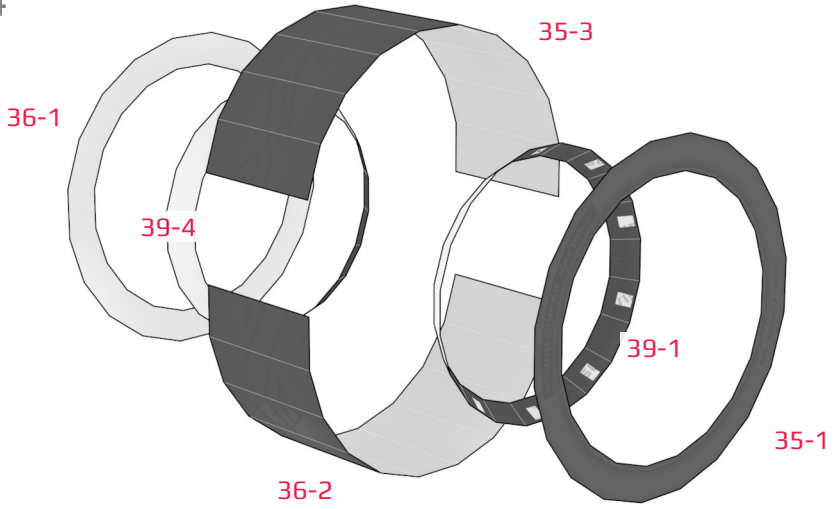




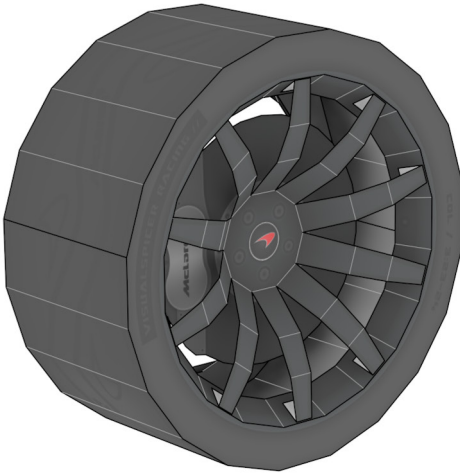
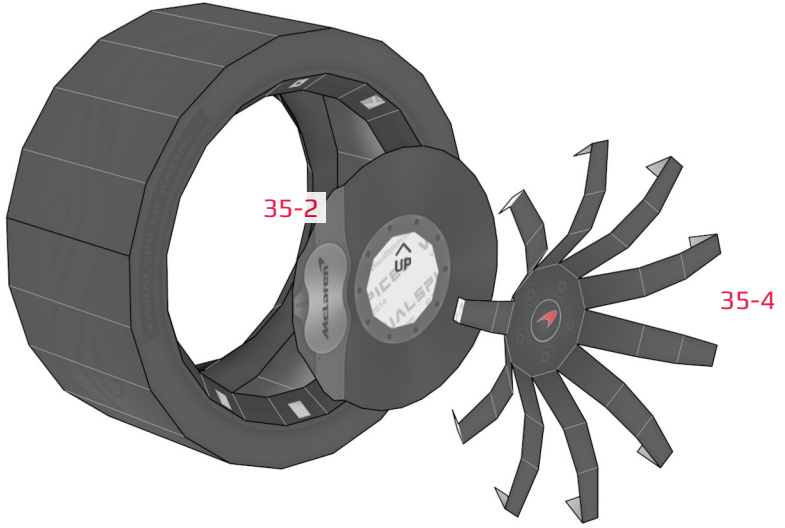
23



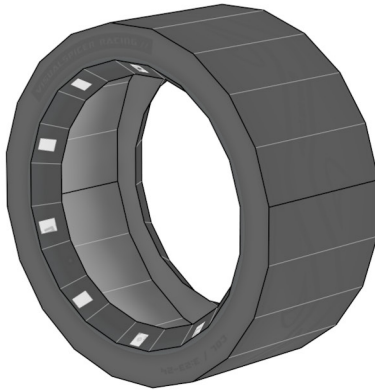
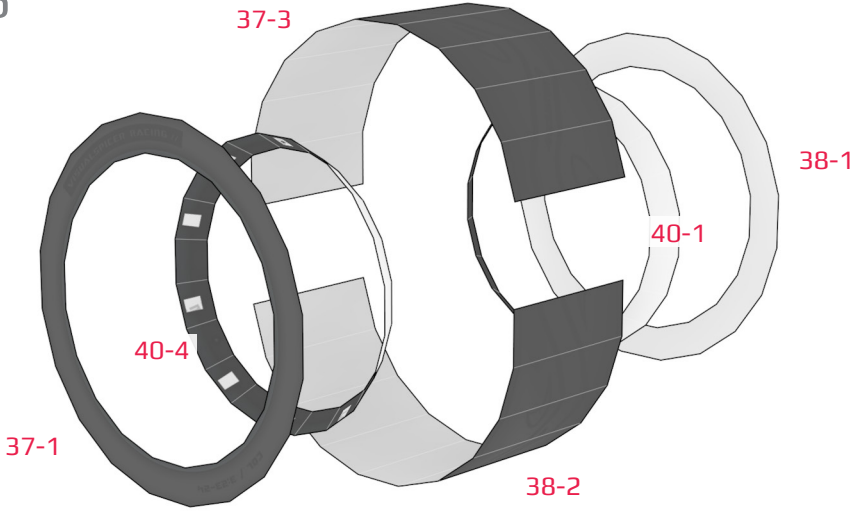
24



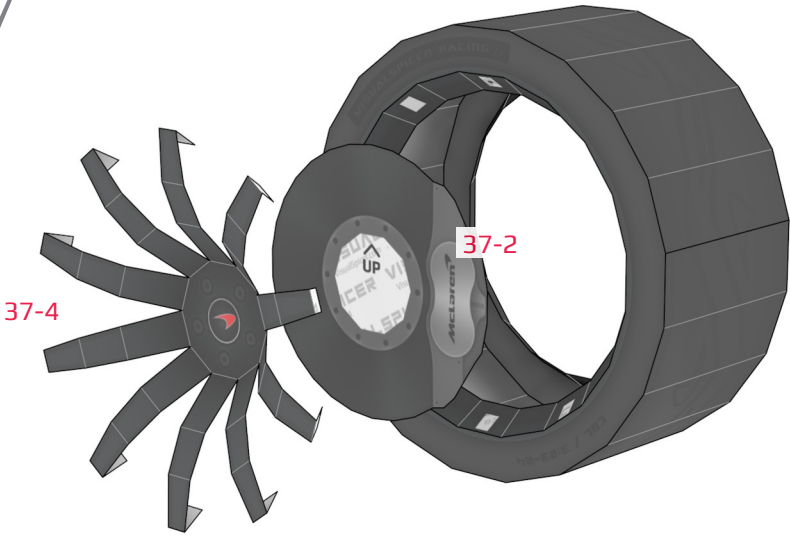
25



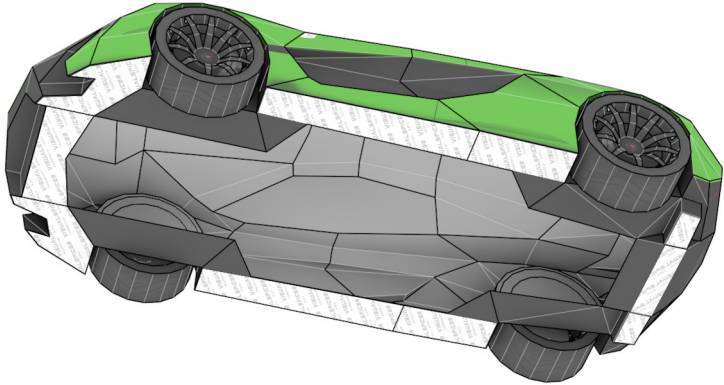
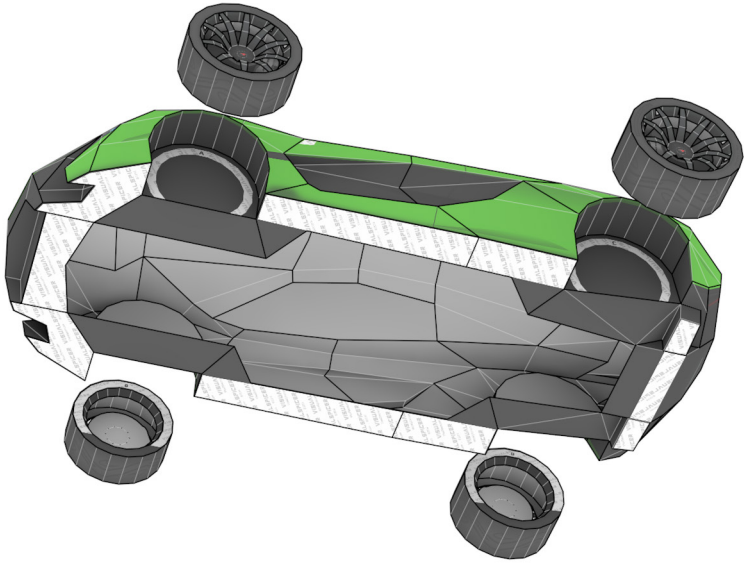
26



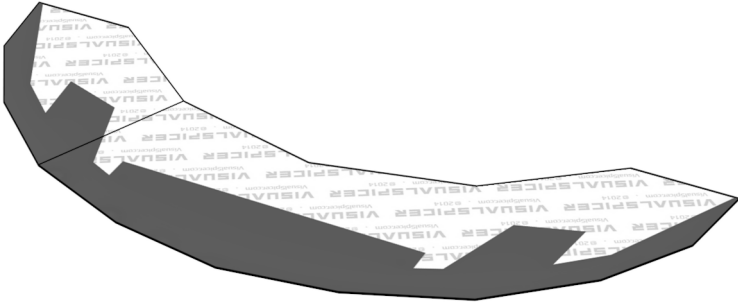
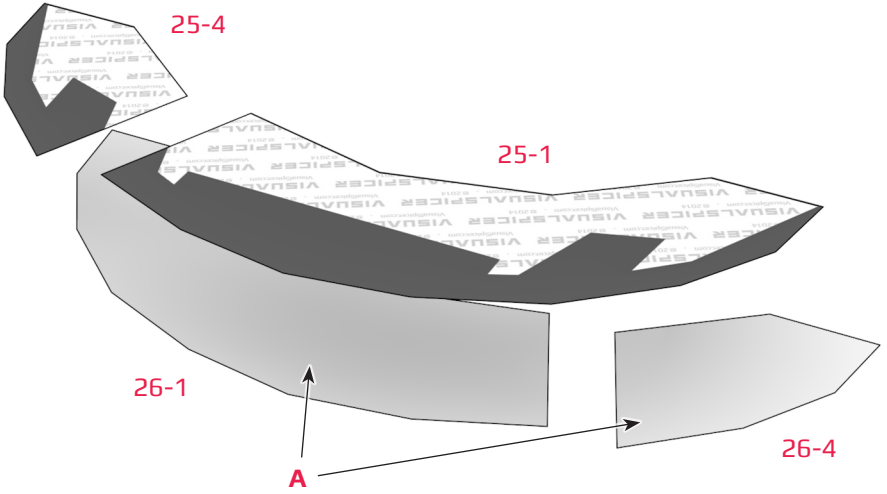
27



28

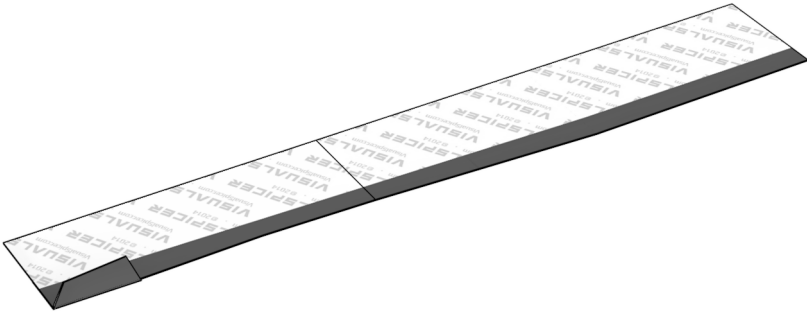
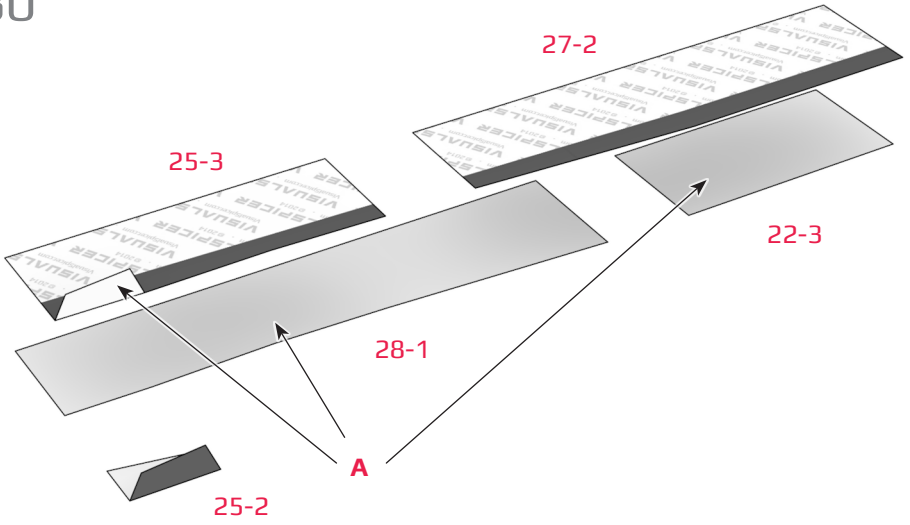


29



**A:** Apply glue to surface.

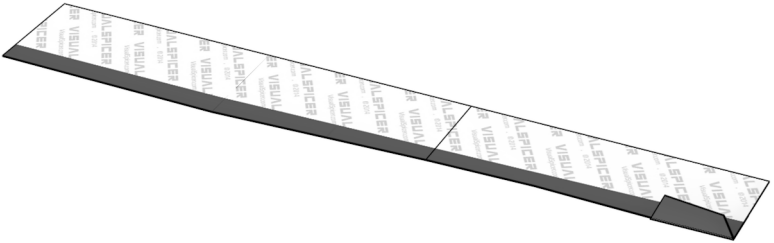
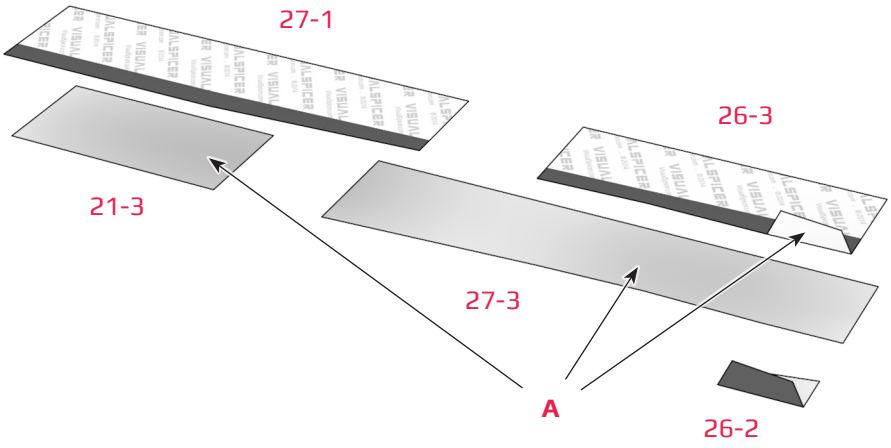
30



**A:** Apply glue to surface.

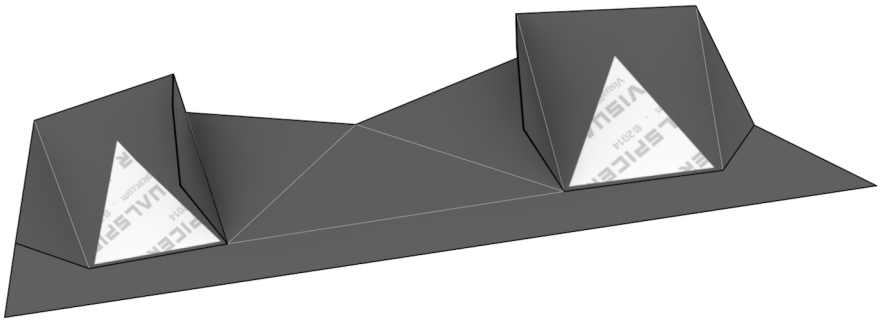
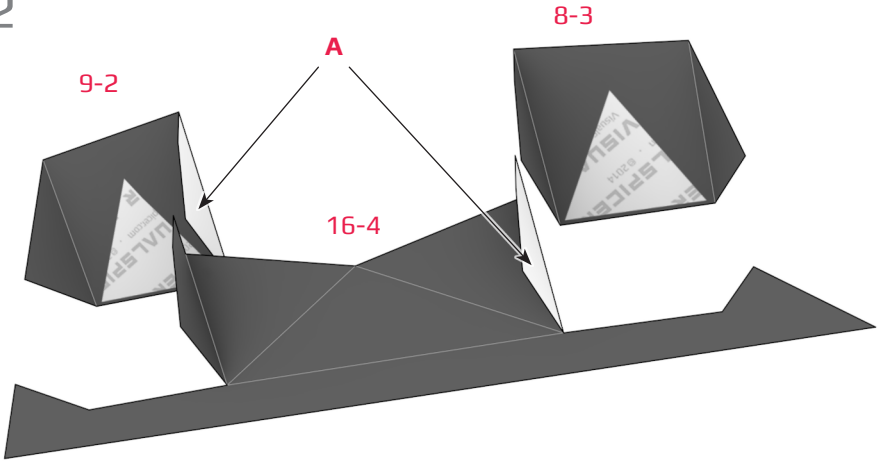


31



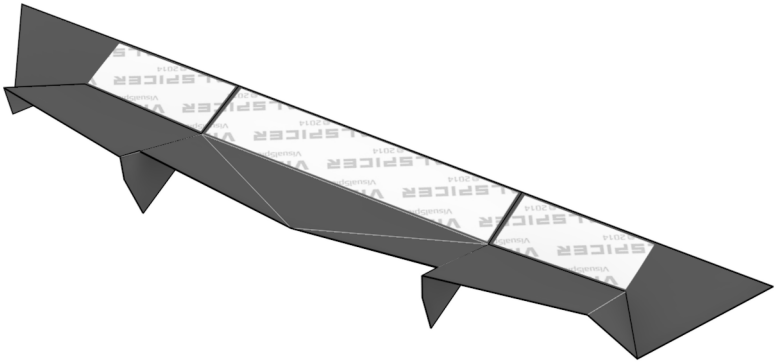
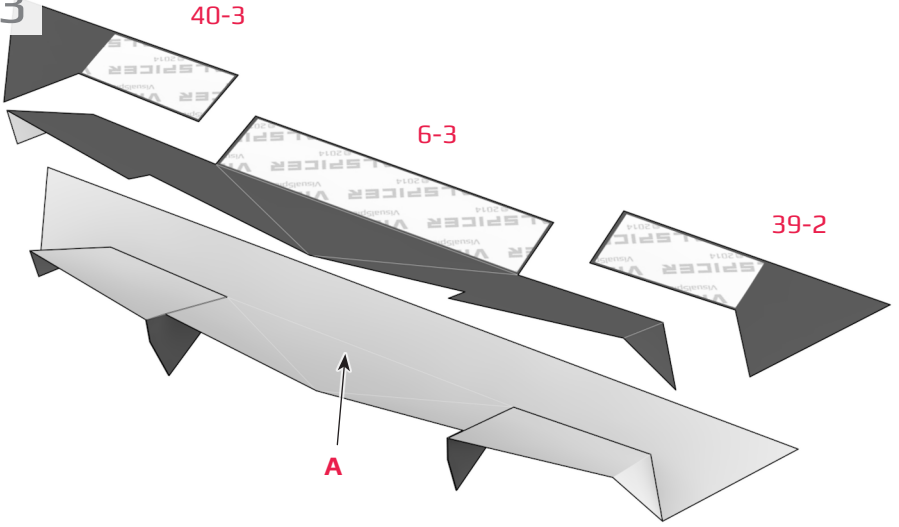
**A:** Apply glue to surface.

32



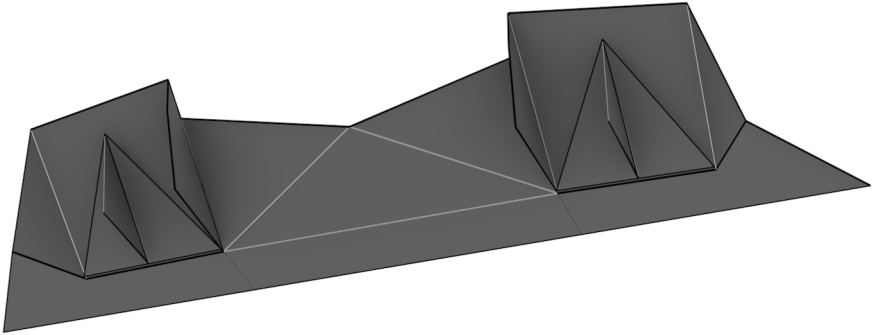
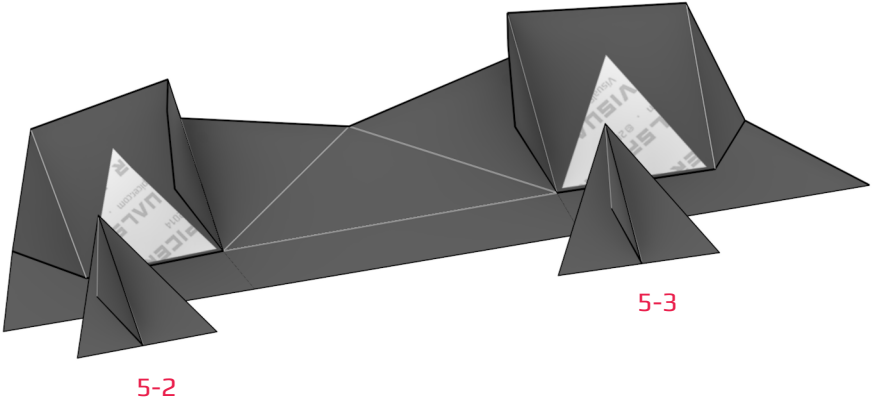
**A:** Apply glue to surface.

33

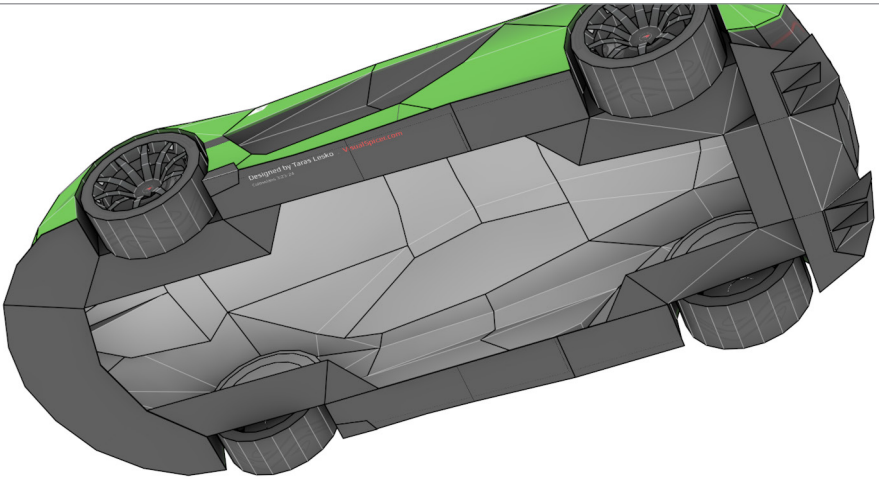
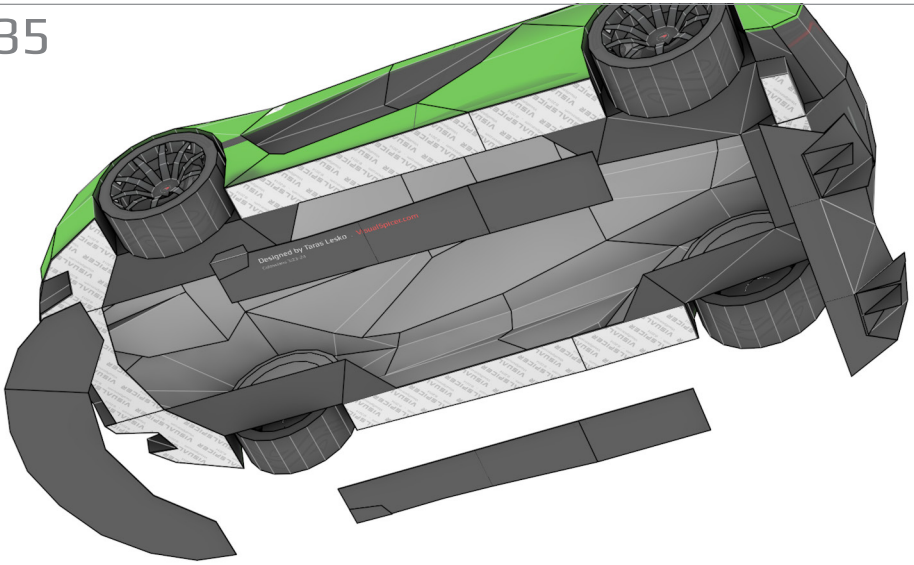


**A:** Apply glue to surface.

34



35

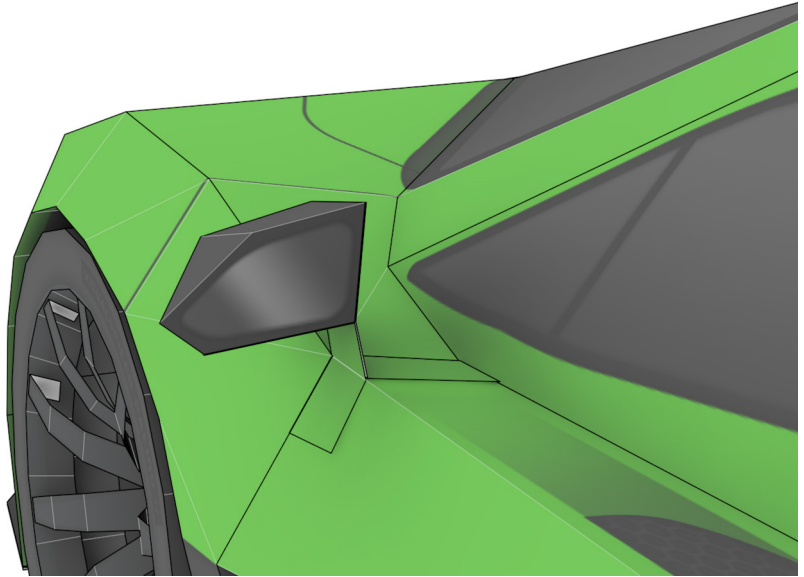
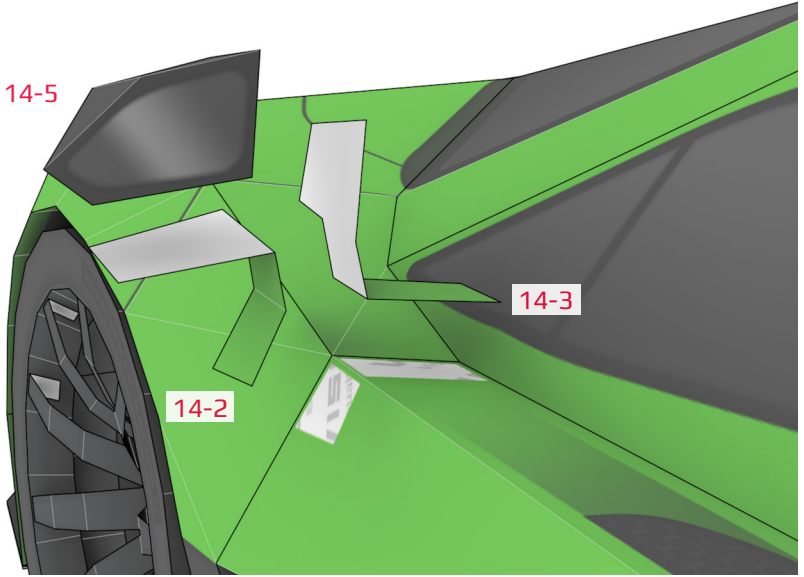


36

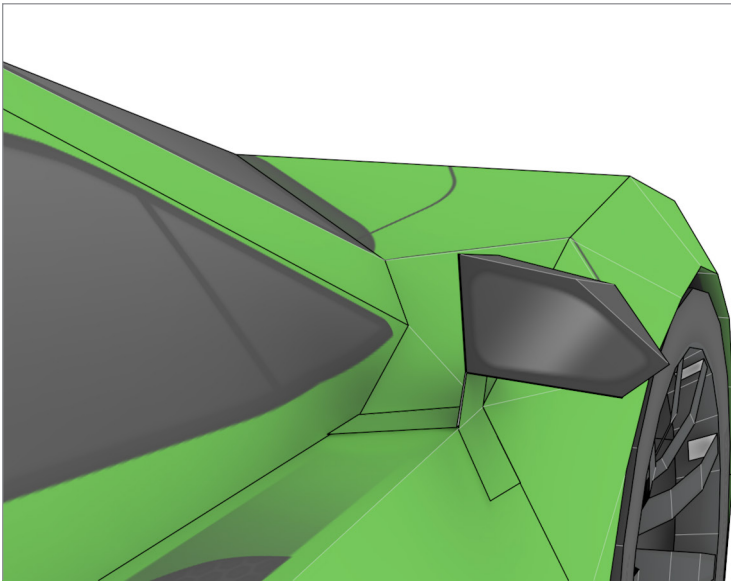
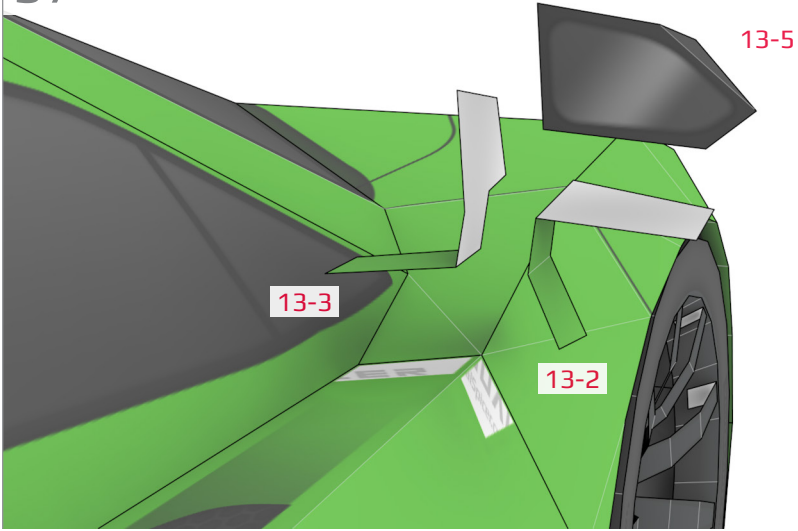
14-5

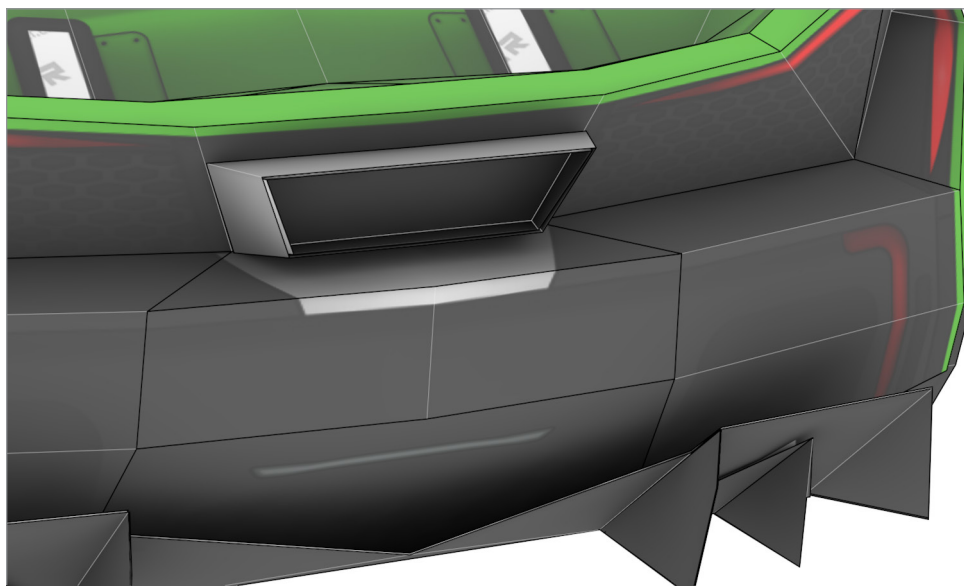
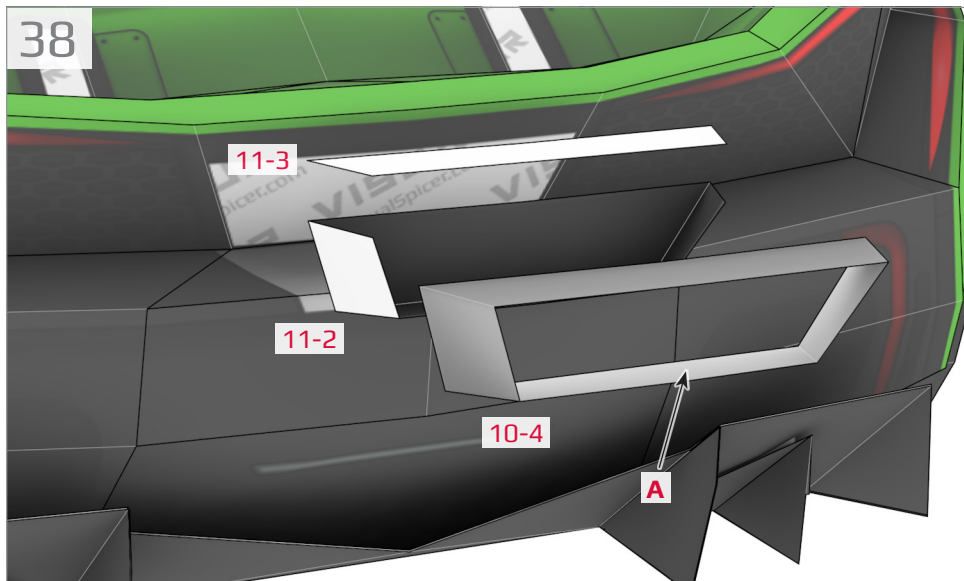
14-3

14-2



37

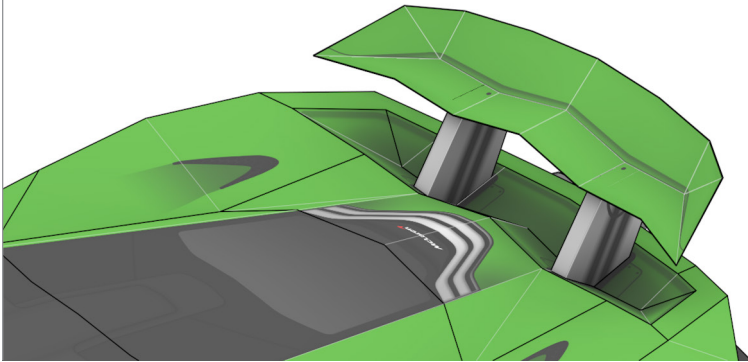
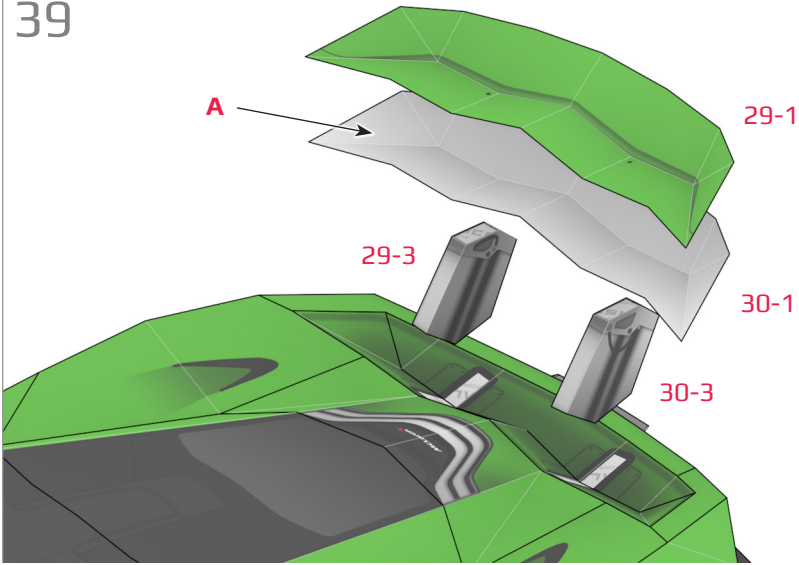




**A:** Apply glue to surface.



39



**A:** Apply glue to surface.

## THANK YOU

Send comments, suggestions and photos of your build to [mail@visualspicer.com](mailto:mail@visualspicer.com) or [@visualspicer](https://twitter.com/visualspicer) on Twitter.



### Colossians 3:23-24

Whatever my hands find to do, I work at it with all my heart as working for the Lord, Jesus Christ...